



CMT2620B SERIES – Common Mode Choke



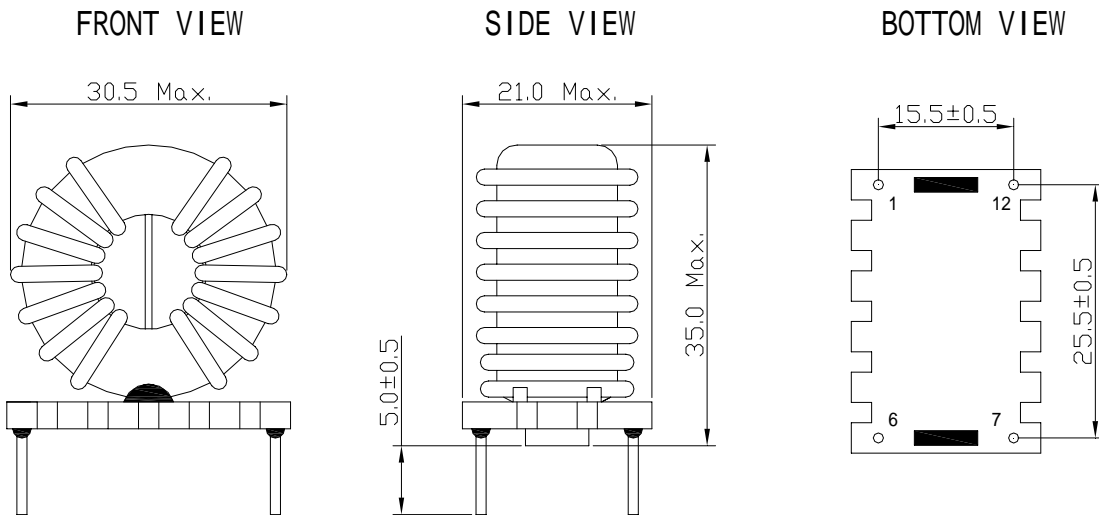
RoHS Compliant

PART NUMBERING SYSTEM

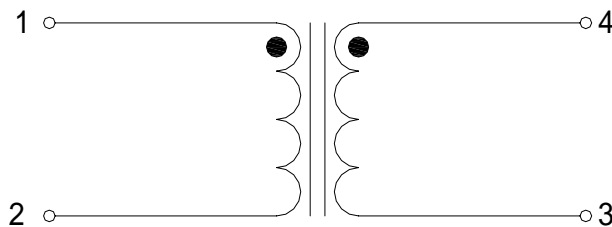
CMT	2 6 2 0 B	-	1 0 2 N	-	LF
TYPE	DIMENSIONS		INDUCTANCE		LEAD FREE

SHAPES AND DIMENSIONS

UNIT : mm



SCHEMATIC DRAWING





CMT2620B SERIES – Common Mode Choke



RoHS Compliant

SPECIFICATION TABLE

PART NUMBER	INDUCTANCE (mH)	DCR (mΩ) (max)	IDC (A) (max)	NOMINAL VOLTAGE V _{AC}	TEST FREQ. (f)
CMT2620B-102N-LF	1.0±30%	9	12.0	250	10KHz
CMT2620B-142N-LF	1.4±30%	19	8.0	250	10KHz
CMT2620B-192N-LF	1.9±30%	19	7.0	250	10KHz
CMT2620B-222N-LF	2.2±30%	14	8.0	250	10KHz
CMT2620B-332N-LF	3.3±30%	25	6.0	250	10KHz
CMT2620B-402N-LF	4.0±30%	45	4.0	250	10KHz
CMT2620B-502N-LF	5.0±30%	45	6.0	250	10KHz
CMT2620B-702N-LF	7.0±30%	80	3.5	250	10KHz
CMT2620B-103N-LF	10.0±30%	55	5.0	250	10KHz
CMT2620B-203N-LF	20.0±30%	160	3.0	250	10KHz

Inductance is measured with a LCR meter 4284A or equivalent.

Test voltage : 1500V, 50Hz , 5mA , 2sec.

Operating temperature range -40°C to +125°C

Electrical specifications at 25°C