



MB1005 SERIES

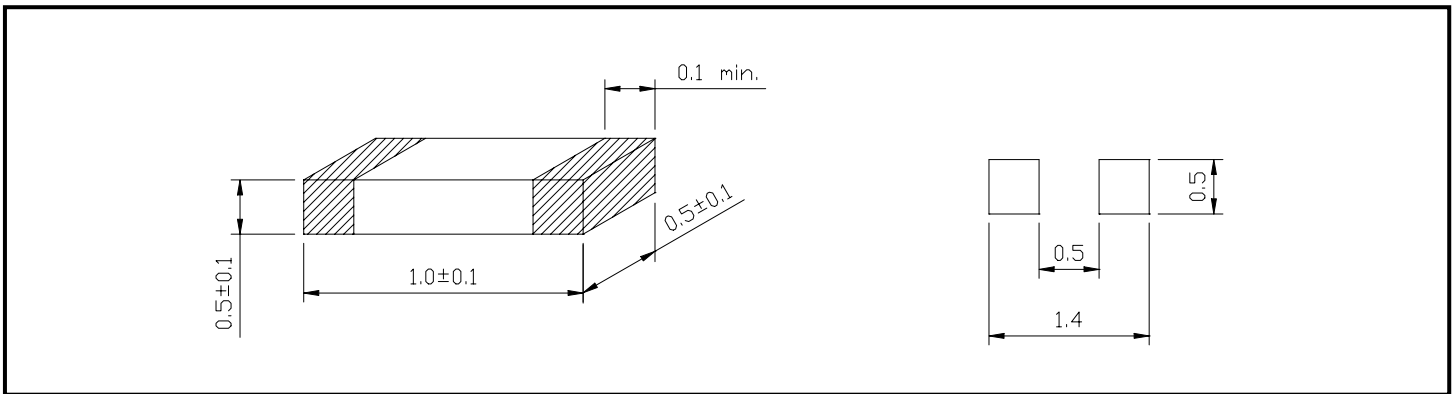


PART NUMBERING SYSTEM

<u>MB</u>	<u>1 0 0 5</u>	-	<u>3 0 0</u>	-	<u>LF</u>
TYPE	DIMENSIONS		IMPEDANCE		LEAD FREE

SHAPES AND DIMENSIONS

UNIT : mm



SPECIFICATION TABLE

PART NUMBER	IMPEDANCE () at 100MHz	DCR () (max)	IDC (mA) (max)
MB1005-300-LF	30±25%	0.20	400
MB1005-600-LF	60±25%	0.25	300
MB1005-121-LF	120±25%	0.30	300
MB1005-241-LF	240±25%	0.40	200
MB1005-301-LF	300±25%	0.50	200
MB1005-451-LF	450±25%	0.60	200
MB1005-601-LF	600±25%	0.80	200
MB1005-102-LF	1000±25%	1.00	150

Test equipment : HP-4291 A impedance analyzer or equivalent.



MB1005 SERIES

