



MC1608 SERIES -

Multilayer Ceramic-3 Terminal EMI Filter

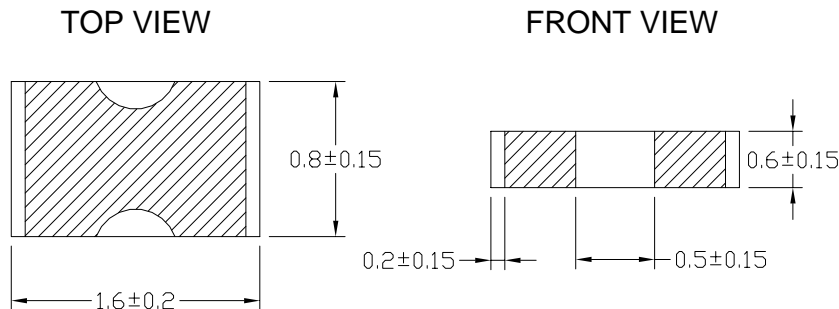


PART NUMBERING SYSTEM

MC	1 6 0 8	-	2 2 1	-	LF
TYPE	DIMENSIONS		CAPACITANCE		LEAD FREE

SHAPES AND DIMENSIONS

UNIT : mm



SPECIFICATION TABLE

PART NUMBER	Capacitance (pF) Tolerance	Rated Voltage	Rate Current (A)	IR MΩ(Min)	DC Resistance Ω(MAX)	DC Resistance Ω(MAX)
MC1608-220S-LF	22 +50,-20%	50V DC	0.3A DC	10,000	0.30	0±30ppm/°C
MC1608-470S-LF	47 +50,-20%	50V DC	0.3A DC	10,000	0.30	0±30ppm/°C
MC1608-101S-LF	100 +50,-20%	50V DC	0.3A DC	10,000	0.30	0±30ppm/°C
MC1608-221S-LF	220 +50,-20%	50V DC	0.3A DC	10,000	0.30	-750±120ppm/°C
MC1608-471S-LF	470 +50,-20%	50V DC	0.3A DC	10,000	0.30	±15%
MC1608-102S-LF	1000 +50,-20%	50V DC	0.3A DC	10,000	0.30	±15%
MC1608-222S-LF	2200 +50,-20%	50V DC	0.3A DC	10,000	0.30	±15%
MC1608-232S-LF	2300 +50,-20%	25V DC	0.5A DC	10,000	0.15	±15%

Test equipment : Agilent/HP-4291A impedance analyzer or equipment .

Operating temperature range -25°C to +85°C .

Electrical specifications at 25°C.

Packing : 7" reel, machine-ready ,embossed plastic tape (4,000 parts per full reel).