



MF1608 SERIES

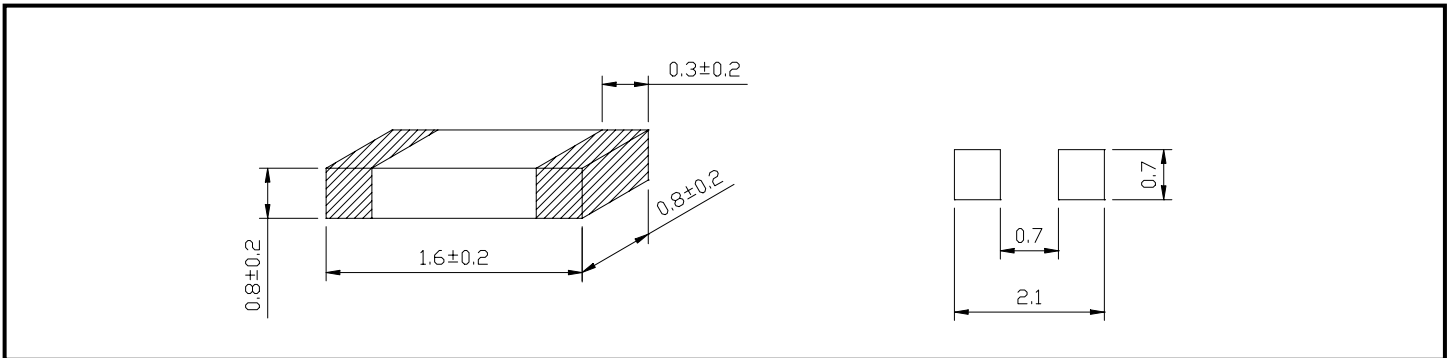


PART NUMBERING SYSTEM

<u>MF</u>	<u>1 6 0 8</u>	-	<u>1 N 0 S</u>	-	<u>LF</u>
TYPE	DIMENSIONS		INDUCTANCE		LEAD FREE

SHAPES AND DIMENSIONS

UNIT : mm





MF1608 SERIES



SPECIFICATION TABLE

PART NUMBER	INDUCTANCE (nH) 100MHz	Q TYPICAL		SRF (MHz) MIN.	DCR () (max)	IDC (mA) (max)
		100 MHz	800 MHz			
MF1608-1N0S-LF	1.0	14	70	10000	0.05	300
MF1608-1N2S-LF	1.2	14	70	10000	0.05	300
MF1608-1N5S-LF	1.5	14	47	6000	0.10	300
MF1608-1N8S-LF	1.8	10	30	6000	0.10	300
MF1608-2N2S-LF	2.2	12	37	6000	0.10	300
MF1608-2N7S-LF	2.7	13	41	6000	0.10	300
MF1608-3N3S-LF	3.3	14	42	6000	0.12	300
MF1608-3N9S-LF	3.9	13	42	6000	0.14	300
MF1608-4N7S-LF	4.7	13	42	4000	0.16	300
MF1608-5N6S-LF	5.6	14	42	4000	0.18	300
MF1608-6N8J-LF	6.8	14	43	4000	0.22	300
MF1608-8N2J-LF	8.2	14	44	3500	0.24	300
MF1608-10NJ-LF	10.0	14	43	3400	0.26	300
MF1608-12NJ-LF	12.0	14	45	2600	0.28	300
MF1608-15NJ-LF	15.0	15	46	2300	0.32	300
MF1608-18NJ-LF	18.0	15	44	2000	0.35	300
MF1608-22NJ-LF	22.0	16	44	1600	0.40	300
MF1608-27NJ-LF	27.0	16	45	1400	0.45	300
MF1608-33NJ-LF	33.0	17	46	1200	0.55	300
MF1608-39NJ-LF	39.0	18	44	1100	0.60	300
MF1608-47NJ-LF	47.0	17	35	900	0.70	300
MF1608-56NJ-LF	56.0	17	34	900	0.75	300
MF1608-68NJ-LF	68.0	18	30	700	0.85	300
MF1608-82NJ-LF	82.0	18	27	600	0.95	300
MF1608-R10J-LF	100	18	16	600	1.00	300
MF1608-R12J-LF	120	16	—	500	1.20	300
MF1608-R15J-LF	150	13	—	500	1.20	300
MF1608-R18J-LF	180	13	—	400	1.30	300
MF1608-R22J-LF	220	12	—	400	1.50	300
MF1608-R27J-LF	270	12	—	350	1.60	300

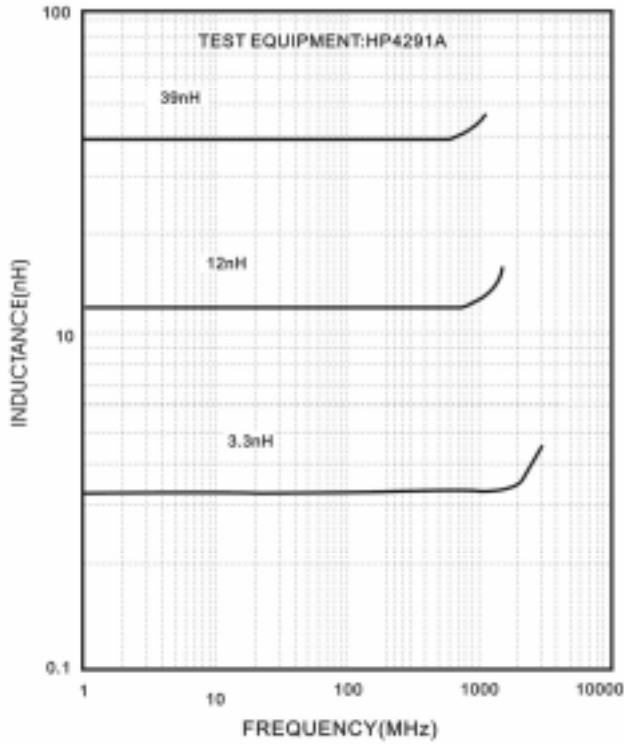
INDUCTANCE TOLERANCE (J : ±5%, S : ±0.3nH)



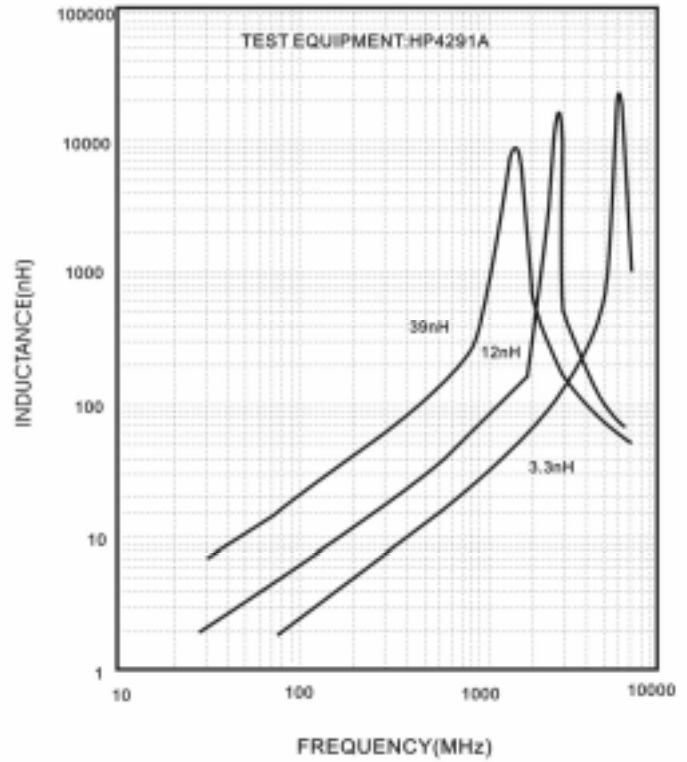
MF1608 SERIES



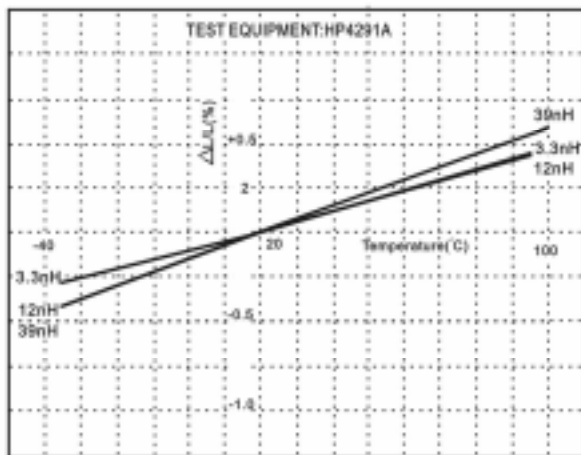
INDUCANCE vs. FREQUENCY CHARACTERISTICS



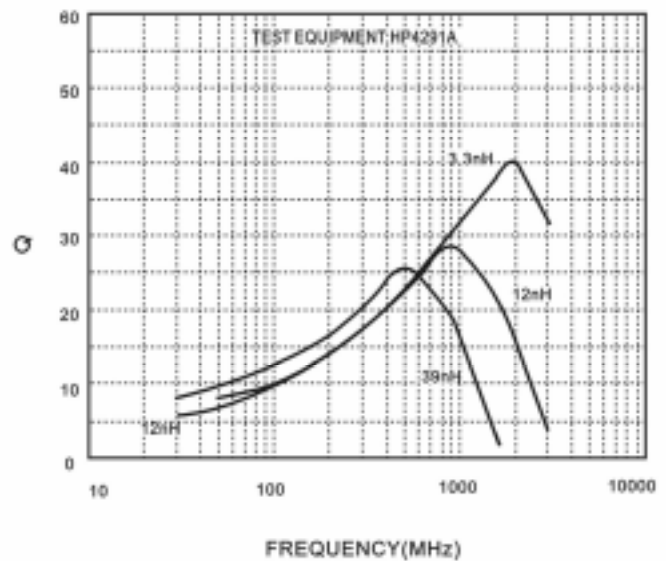
INDUCANCE vs. FREQUENCY CHARACTERISTICS



INDUCANCE vs. FREQUENCY CHARACTERISTICS



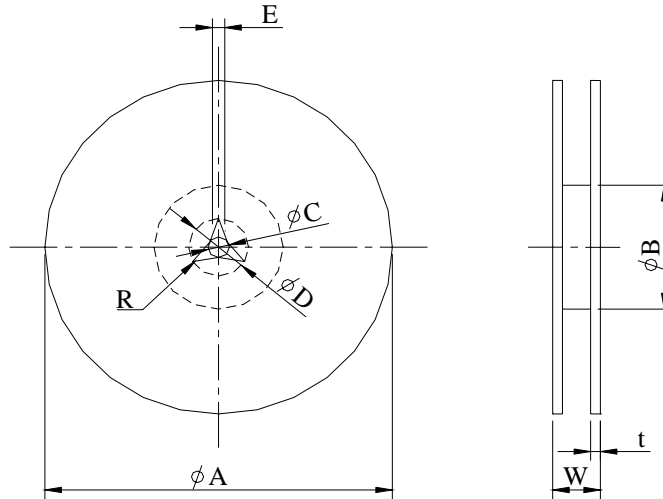
Q vs. FREQUENCY CHARACTERISTICS



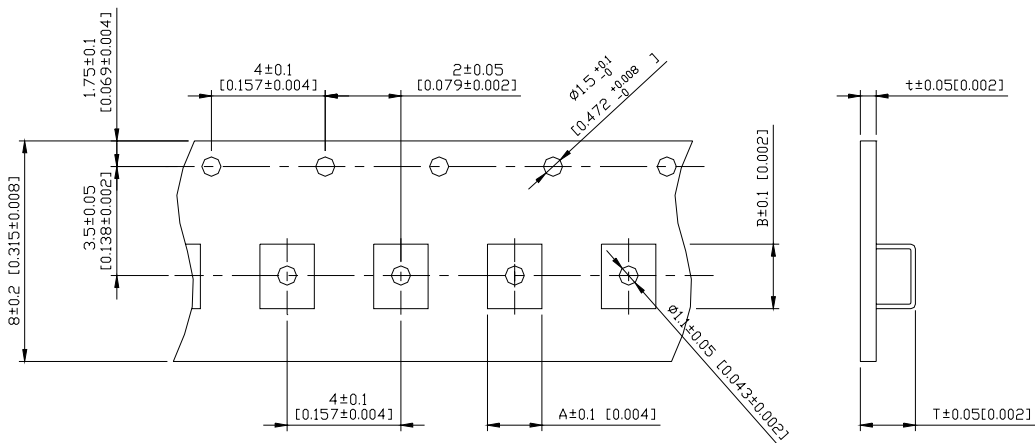
MF1608 SERIES



PACKAGING SPECIFICATION



	A	B	C	D	E	W8	W12	t	R
T(178mm) Reel	178±2	60±1	13±0.8	21±0.8	2	10±1.5	14.5±1.5	1.27±0.2	1
T(330mm) Reel	330±2	100±2	13±0.8	21±0.8	2	10±1.5	14.5±1.5	1.27±0.2	1



TYPE	A	B	T	t	T(178mm)	T(330mm)
MF1608	1.10	1.90	1.10	0.2	4000 pcs/reel	-