



ML1608HC SERIES – Multilayer High Current Chip Inductors

New Products

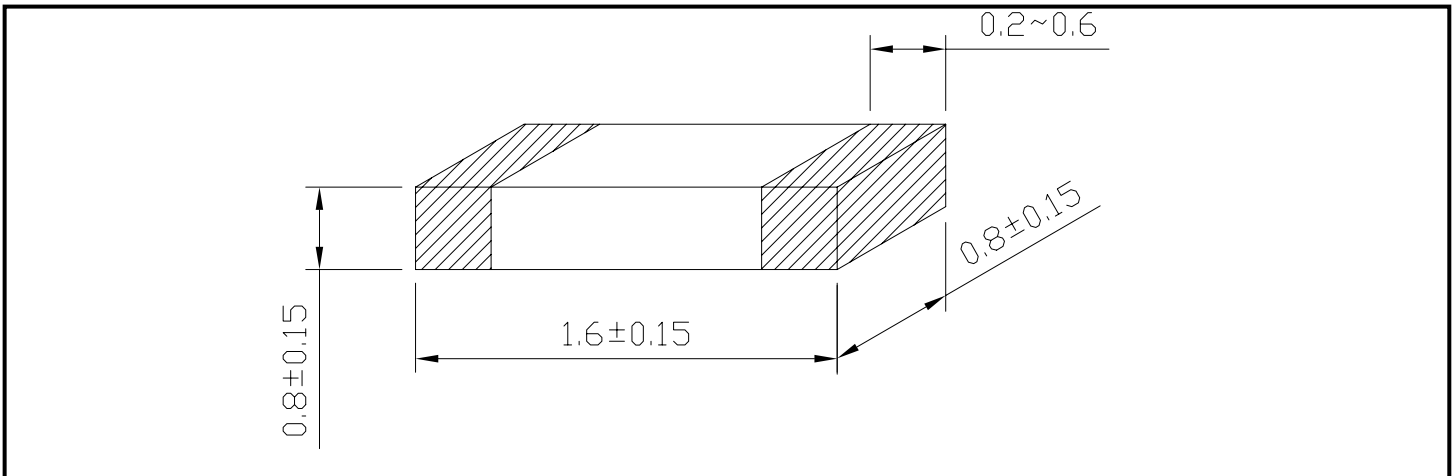


PART NUMBERING SYSTEM

ML	1 6 0 8 H C	—	4 R 7 M	—	LF
TYPE	DIMENSIONS		INDUCTANCE		LEAD FREE

SHAPES AND DIMENSIONS

UNIT : mm



SPECIFICATION TABLE

PART NUMBER	INDUCTANCE (μ H)	DCR (Ω) (max)	L TEST FREQUENCY (MHz)	I _{sat1} (mA) (max)	I _{sat2} (mA) (max)	I _{rms} (mA) (max)
ML1608HC-1R0M-LF	1.0±20%	0.104	7.96	230	360	900
ML1608HC-2R2M-LF	2.2±20%	0.221	7.96	160	240	600
ML1608HC-4R7M-LF	4.7±20%	0.312	7.96	110	170	500
ML1608HC-100M-LF	10±20%	0.468	2.52	80	120	400
ML1608HC-220M-LF	22±20%	1.300	2.52	50	70	200
ML1608HC-470M-LF	47±20%	2.990	2.52	35	50	100

- Test Equipment : HP-4291A Impedance Analyzer Meter or equivalent .
- I_{sat1}: DC current at which the inductance drops 10% (typ) from its value without current.
- I_{sat2}: DC current at which the inductance drops 30% (typ) from its value without current.
- I_{rms}: Current that causes a 20°C temperature rise from 25°C ambient.
- Packing : 7" reel, machine-ready ,embossed plastic tape (4,000 parts per full reel).