



ML2016HC SERIES – Multilayer High Current Chip Inductors

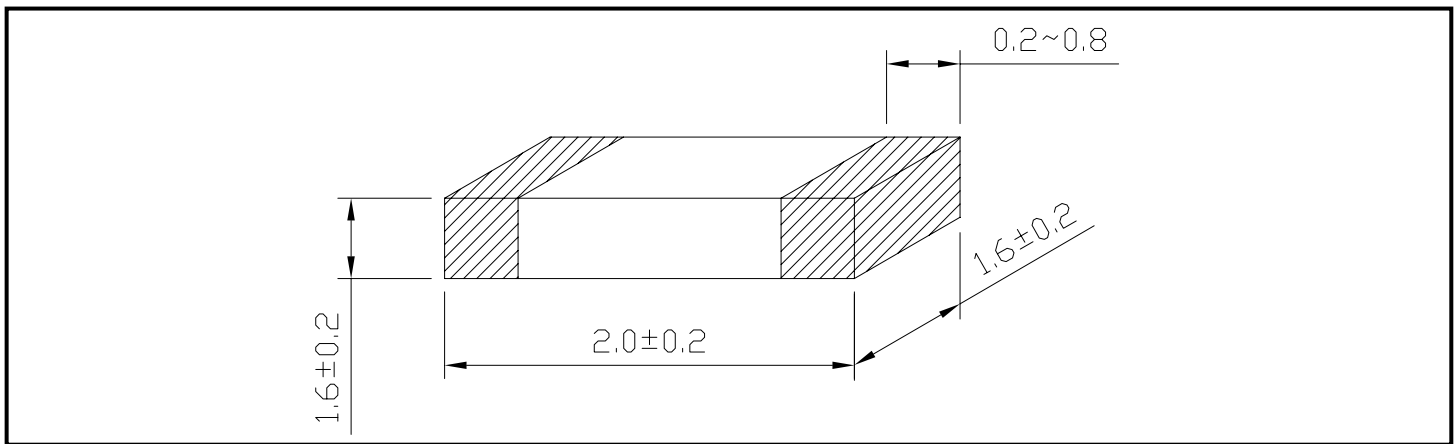


PART NUMBERING SYSTEM

M L	2016HC	—	1R0M	—	LF
TYPE	DIMENSIONS		INDUCTANCE		LEAD FREE

SHAPES AND DIMENSIONS

UNIT : mm



ML2016HC SERIES – Multilayer High Current Chip Inductors

SPECIFICATION TABLE

PART NUMBER	INDUCTANCE (μ H)	Q. MIN.	L, Q TEST FREQUENCY (MHz)	SRF (MHz) MIN.	DCR (Ω) (max)	IDC(mA) (max)
ML2016HC-1R0M-LF	1.0 \pm 20%	10	7.96	100	0.09	455
ML2016HC-1R5M-LF	1.5 \pm 20%	10	7.96	80	0.11	350
ML2016HC-2R2M-LF	2.2 \pm 20%	10	7.96	70	0.13	315
ML2016HC-1R0M-LF	3.3 \pm 20%	10	7.96	55	0.20	280
ML2016HC-4R7M-LF	4.7 \pm 20%	10	7.96	45	0.25	210
ML2016HC-6R8M-LF	6.8 \pm 20%	10	7.96	38	0.35	175
ML2016HC-100M-LF	10 \pm 20%	10	2.52	32	0.50	155
ML2016HC-150M-LF	15 \pm 20%	10	2.52	28	0.70	130
ML2016HC-220M-LF	22 \pm 20%	10	2.52	16	1.00	105
ML2016HC-330M-LF	33 \pm 20%	10	2.52	14	1.70	85
ML2016HC-470M-LF	47 \pm 20%	10	2.52	11	2.40	60
ML2016HC-680M-LF	68 \pm 20%	10	2.52	10	3.00	50
ML2016HC-101M-LF	101 \pm 20%	10	0.796	8	4.50	40