



MS2520HT SERIES ~ Low Profile Ceramic Chip Inductors

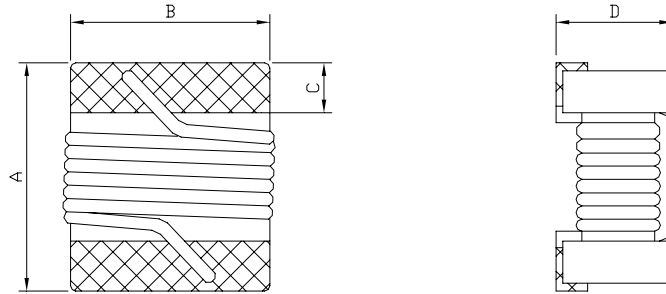


PART NUMBERING SYSTEM

<u>MS</u>	<u>2520HT</u>	—	<u>10NJ</u>	—	<u>LF</u>
TYPE	DIMENSIONS		INDUCTANCE		LEAD FREE

SHAPES AND DIMENSIONS

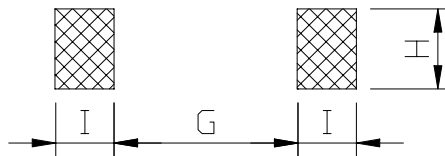
UNIT : mm



A=2.56 Max. B=2.41 Max. C=0.51 Ref. D=1.14 Max.

RECOMMENDED PATTERNS

UNIT : mm



G=1.27 H=2.54 I=1.02

FEATURES :

- lowest profile chip inductors only 1.14mm high .(size : 2.67Lx2.41Wx1.14Ht mm Max.)
- Exceptionally high Q compared to non-wirewound inductors, especially at high frequencies
- Ceramic construction for highest possible self resonance (up to 9400 MHz)
- Lead Free with RoHS Compliant .



MS2520HT SERIES ~ Low Profile Ceramic Chip Inductors



RoHS Compliant

SPECIFICATION TABLE

PART NUMBER	INDUCTANCE (nH)	TOLERANCE	Q. MIN.	SRF (GHz) MIN.	DCR (Ω) (max)	IDC (mA) (max)
MS2520HT-3N3X-LF	3.3@250MHz	B,S	65@1500MHz	7900	0.025	1000
MS2520HT-6N8X-LF	6.8@250MHz	B,S	70@1500MHz	5500	0.050	1000
MS2520HT-7N2X-LF	7.2@250MHz	B,S	70@1500MHz	4800	0.050	1000
MS2520HT-12NX-LF	12@250MHz	K,J,G	55@700MHz	3800	0.065	1000
MS2520HT-15NX-LF	15@250MHz	K,J,G	55@700MHz	2800	0.080	1000
MS2520HT-18NX-LF	18@250MHz	K,J,G	55@500MHz	3000	0.090	1000
MS2520HT-22NX-LF	22@250MHz	K,J,G	55@500MHz	2600	0.110	950
MS2520HT-27NX-LF	27@250MHz	K,J,G	55@500MHz	2400	0.130	850
MS2520HT-33NX-LF	33@200MHz	K,J,G	55@350MHz	2000	0.135	760
MS2520HT-39NX-LF	39@200MHz	K,J,G	55@350MHz	1900	0.170	700
MS2520HT-47NX-LF	47@200MHz	K,J,G	55@350MHz	1500	0.180	660
MS2520HT-56NX-LF	56@150MHz	K,J,G	50@300MHz	1500	0.180	620
MS2520HT-68NX-LF	68@150MHz	K,J,G	50@300MHz	1500	0.230	550
MS2520HT-82NX-LF	82@150MHz	K,J,G	40@250MHz	1300	0.350	500
MS2520HT-R10X-LF	100@100MHz	K,J,G	40@250MHz	1200	0.640	420
MS2520HT-R12X-LF	120@100MHz	K,J,G	40@200MHz	1090	0.550	350
MS2520HT-R14X-LF	140@100MHz	K,J,G	40@200MHz	1100	0.700	320
MS2520HT-R15X-LF	150@100MHz	K,J,G	40@100MHz	960	0.750	300
MS2520HT-R18X-LF	180@50MHz	K,J,G	40@100MHz	920	1.020	250
MS2520HT-R22X-LF	220@50MHz	K,J,G	34@100MHz	750	1.150	250
MS2520HT-R24X-LF	240@50MHz	K,J,G	32@100MHz	800	1.150	250
MS2520HT-R27X-LF	270@50MHz	K,J,G	32@100MHz	770	1.250	250
MS2520HT-R33X-LF	330@25MHz	K,J,G	32@100MHz	635	1.350	250
MS2520HT-R39X-LF	390@25MHz	K,J,G	32@100MHz	555	1.450	250
MS2520HT-R47X-LF	470@25MHz	K,J,G	32@100MHz	530	1.650	240
MS2520HT-R56X-LF	560@25MHz	K,J,G	32@100MHz	485	1.900	240

Operating temperature range -40°C to +125°C , Electrical specifications at 25°C.

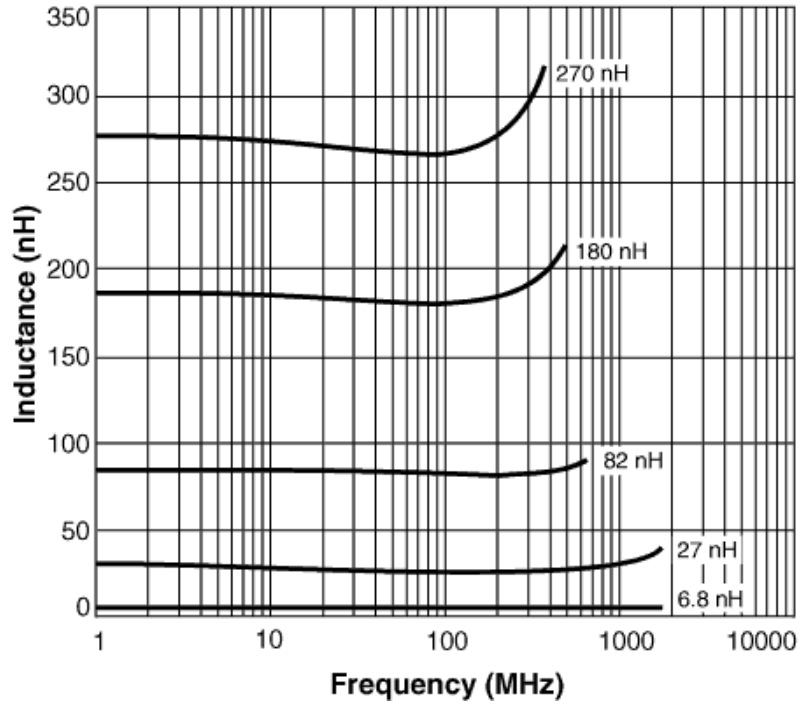
Temperature coefficient of inductance: +25 to +125 ppm/°C.



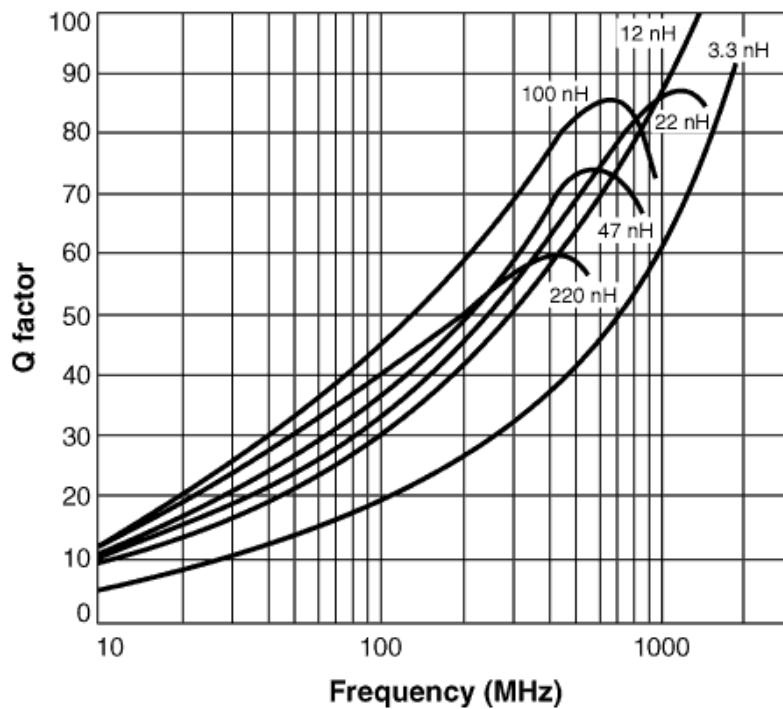
MS2520HT SERIES ~ Low Profile Ceramic Chip Inductors

TYPICAL ELECTRICAL CHARACTERISTICS

INDUCTANCE vs. FREQUENCY CHARACTERISTICS



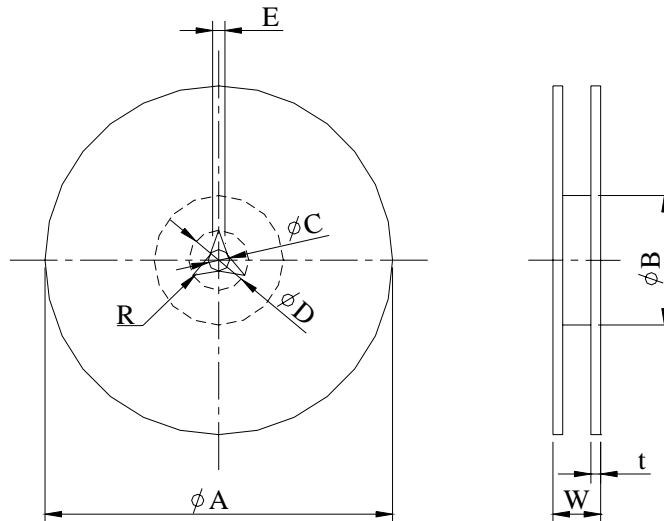
Q vs. FREQUENCY CHARACTERISTICS



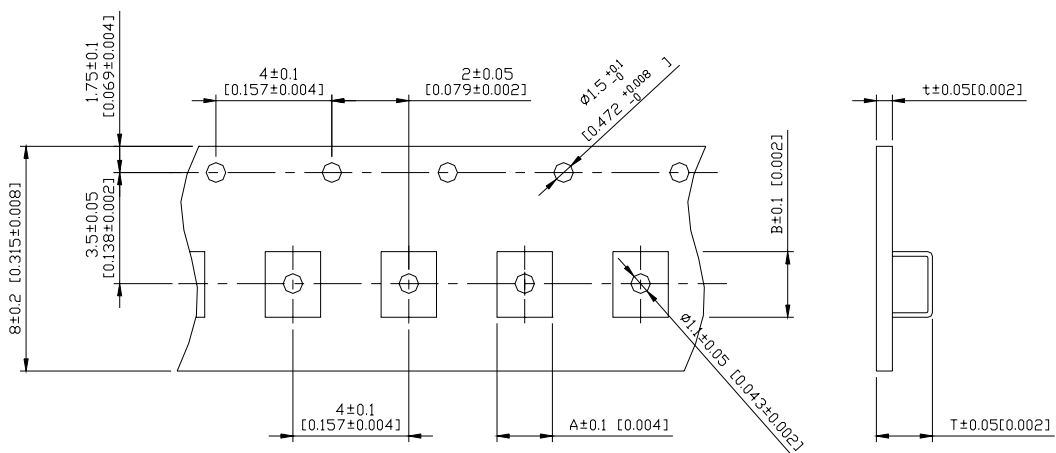


MS2520HT SERIES ~ Low Profile Ceramic Chip Inductors

PACKAGING SPECIFICATION



	A	B	C	D	E	W8	W12	t	R
T($\phi 178\text{mm}$) Reel	$\phi 178\pm 2$	$\phi 60\pm 1$	$\phi 13\pm 0.8$	$\phi 21\pm 0.8$	2	10 ± 1.5	14.5 ± 1.5	1.27 ± 0.2	1
T($\phi 330\text{mm}$) Reel	$\phi 330\pm 2$	$\phi 100\pm 2$	$\phi 13\pm 0.8$	$\phi 21\pm 0.8$	2	10 ± 1.5	14.5 ± 1.5	1.27 ± 0.2	1



TYPE	A	B	T	t	T($\phi 178\text{mm}$)	T($\phi 330\text{mm}$)
MS2520HT	1.90	3.50	1.40	0.2	2000 pcs/reel	-