



MS3225LC SERIES ~ Wire Wound Ceramic Chip Inductors



PART NUMBERING SYSTEM

MS	3 2 2 5 L C	-	6 R 8	-	LF
TYPE	DIMENSIONS		INDUCTANCE		LEAD FREE

FEATURES :

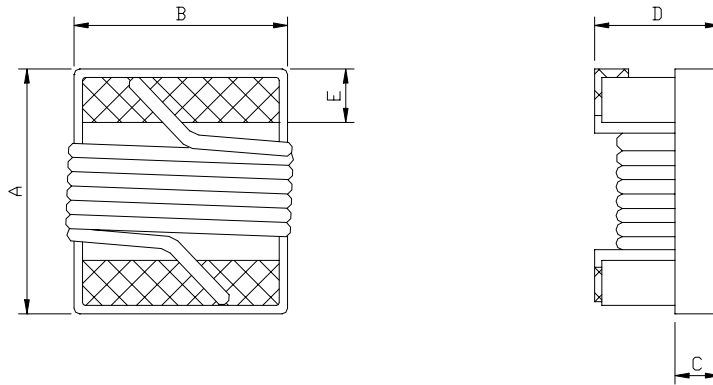
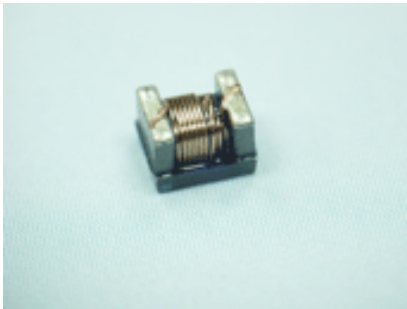
1. Low DC resistance & high current handling capacities , making them ideal for power supply line applications.
2. MS3225LC products conforms to the standards that are slated to be introduced under the RoHS Directive.
3. Applications for personal computers , portable telephones , hard disk drives and other electronic equipment .
4. They are available in ranging from 2012 to 3225 types .

ENVIRONMENTAL DATA :

1. Operating temperature range : - 40 to + 85 including self-temperature rise
2. Storage temperature range : - 40 to + 85

SHAPES AND DIMENSIONS

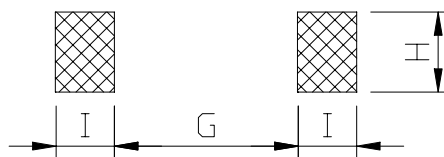
UNIT : mm



A=3.6 Max. B=2.8 Max. C=0.8 Ref. D=2.6 Max. E=0.55±0.1

RECOMMENDED PATTERNS

UNIT:mm



G=1.78 H=2.80 I=1.02



MS3225LC SERIES ~ Wire Wound Ceramic Chip Inductors



SPECIFICATION TABLE

PART NUMBER	INDUCTANCE (uH)	TOLERANCE	Q. MIN.	SRF (MHz) MIN.	DCR () (max)	IDC (mA) (max)
MS3225LC-1R0 -LF	1.0 @7.96MHz	K,M	10@7.96MHz	290	0.12	1200
MS3225LC-1R5 -LF	1.5 @7.96MHz	K,M	10@7.96MHz	260	0.13	1000
MS3225LC-2R2 -LF	2.2 @7.96MHz	K,M	10@7.96MHz	190	0.17	880
MS3225LC-3R3 -LF	3.3 @7.96MHz	K,M	10@7.96MHz	64	0.22	775
MS3225LC-4R7 -LF	4.7 @7.96MHz	K,M	10@7.96MHz	54	0.26	710
MS3225LC-6R8 -LF	6.8 @7.96MHz	K,M	10@7.96MHz	34	0.30	660
MS3225LC-100 -LF	10 @2.52MHz	K,M	10@2.52MHz	25	0.39	570
MS3225LC-150 -LF	15 @2.52MHz	K,M	10@2.52MHz	17	0.66	440
MS3225LC-220 -LF	22 @2.52MHz	K,M	10@2.52MHz	16	0.82	400
MS3225LC-330 -LF	33 @2.52MHz	K,M	10@2.52MHz	12	1.50	285
MS3225LC-390 -LF	39 @2.52MHz	K,M	10@2.52MHz	12	1.66	270
MS3225LC-470 -LF	47 @2.52MHz	K,M	10@2.52MHz	10	1.90	260
MS3225LC-680 -LF	68 @2.52MHz	K,M	10@2.52MHz	9	2.29	235
MS3225LC-101 -LF	100 @1MHz	K,M	10@1MHz	7	3.48	190
MS3225LC-151 -LF	150 @1MHz	K,M	10@1MHz	5	6.55	140
MS3225LC-221 -LF	220 @1MHz	K,M	10@1MHz	4	8.23	115
MS3225LC-331 -LF	330 @1MHz	K,M	10@1MHz	2.8	13.7	98
MS3225LC-471 -LF	470 @1MHz	K,M	10@1MHz	2.6	18.1	86
MS3225LC-681 -LF	680 @1MHz	K,M	10@1MHz	2.3	22.0	76

Inductance, Q and SRF are measured in HP-4284A & HP-E4991A impedance analyzer with HP-16197A fixture.

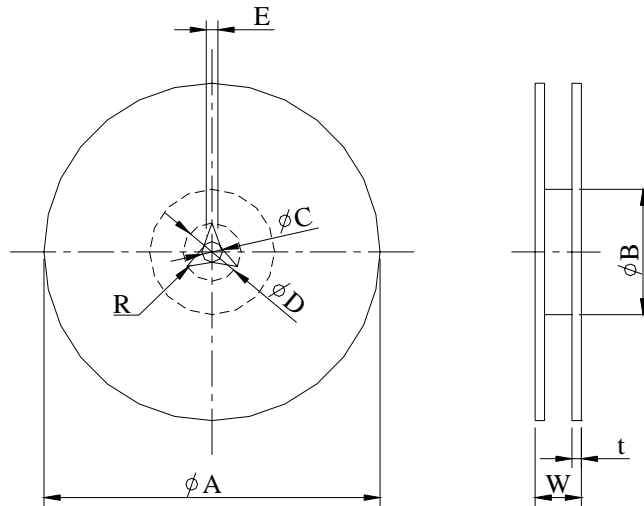
Inductance Tolerance : K=10%, M=20%.

RDC is measured in Chroma 16502 mill ohm meter.(or equivalent) .

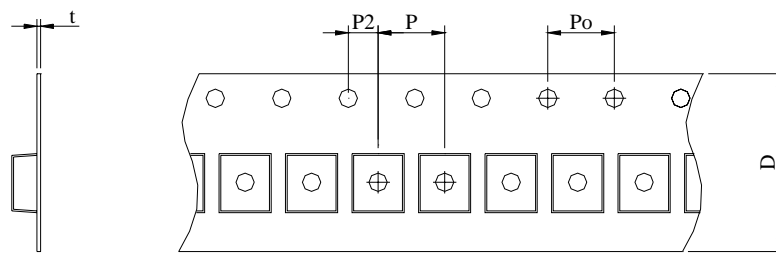
MS3225LC SERIES ~ Wire Wound Ceramic Chip Inductors



PACKAGING SPECIFICATION



	A	B	C	D	E	W	t	R
T(178mm) Reel	180	60	13	-	-	14.4	-	-



TYPE	Reel/pcs	P	Po	P2	t	D
MS3225LC	2000	4	4	2	1	8