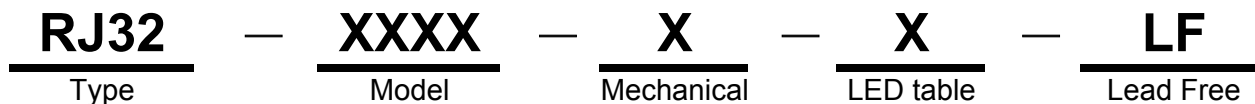


# 10/100Base-TX RJ45 Connector With Integrated Magnetics(Tab-Down)



Coilmaster Electronics Co., Ltd.

## PART NUMBERING SYSTEM



(1) RJ32 Series Mechanical :

A	With staggered LED footprint and EMI-Finger
B	With staggered LED footprint and Non EMI-Finger
C	Without LED with EMI-Finger
D	Without LED and EMI-Finger
E	With Inline LED footprint and EMI-Finger(4.90)
F	With Inline LED footprint and Non EMI-Finger(4.90)
G	With Inline LED footprint and EMI-Finger(4.60)
H	With Inline LED footprint and Non EMI-Finger(4.60)



RoHS Compliant

(2) LED ordering options :

LED Code	LED COLOR		LED POLARITY
	LEFT	RIGHT	
A	Y	G	
B	G	Y	
C	G	G	
D	Y	G	
E	G	Y	
F	G	G	
G	Y	G	
H	G	Y	
W	G	G	

## FEATURES

- Designed to support applications, such as SOHO(ADSL modems) , LAN-on-Motherboard (LOM), Hub and Swiches.
- 1x1 Tab-Down RJ45 with internal magnetics
- Available with or without LEDs
- Meets or exceeds IEEE 802.3 standard for 100Base-T
- 350uH Minimum OCL with 8mA bias current
- **RoHS compliant peak solder rating 235°C**

# 10/100Base-TX RJ45 Connector With Integrated Magnetics (Tab-Down)



Coilmaster Electronics Co., Ltd.

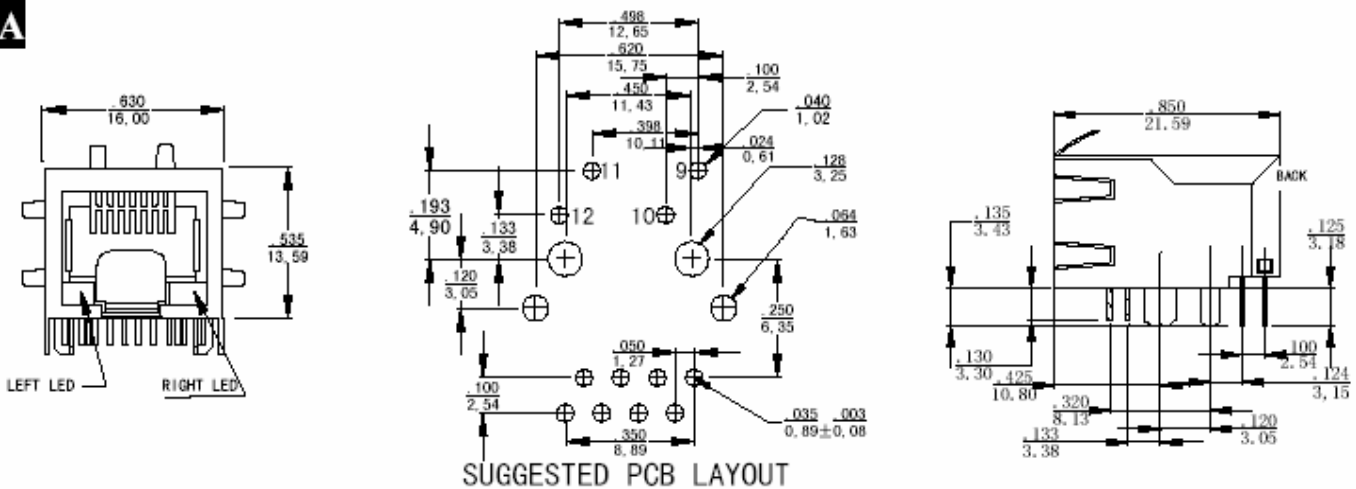
## SHAPES AND DIMENSIONS



RoHS Compliant

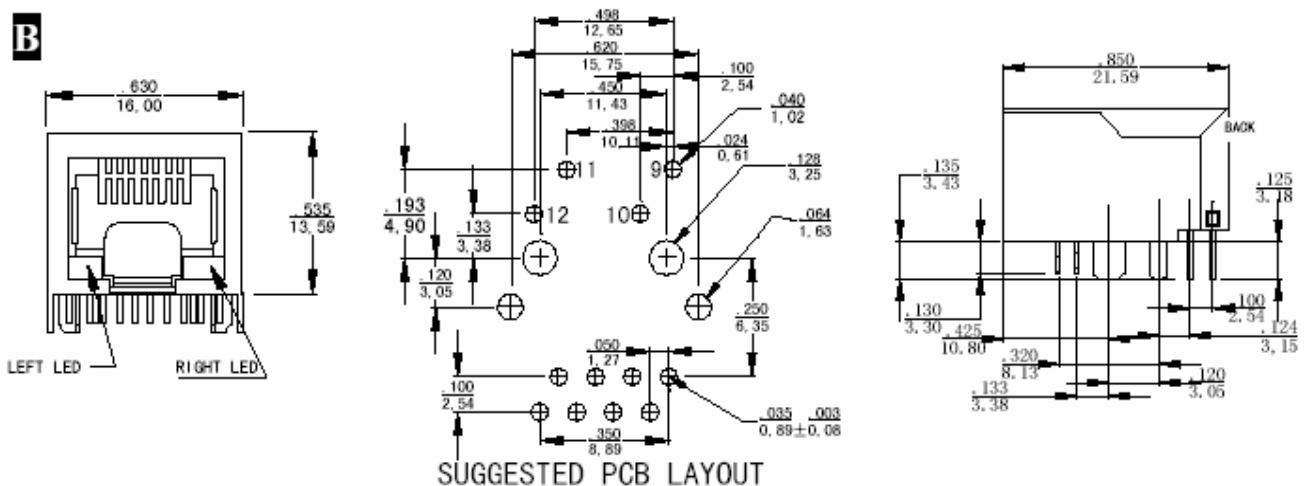
### Mechanicals A : LED color Y(Left) & G(Right)

**A**



### Mechanicals B : LED color G(Left) & Y(Right)

**B**



# 10/100Base-TX RJ45 Connector With Integrated Magnetics (Tab-Down)



Coilmaster Electronics Co., Ltd.

## SHAPES AND DIMENSIONS

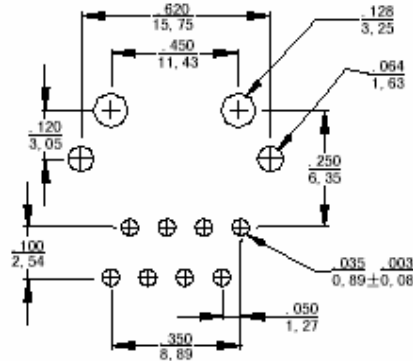
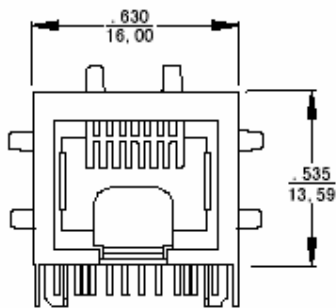
### SHAPES AND DIMENSIONS

#### Mechanicals C : LED color G(Left) & G(Right)

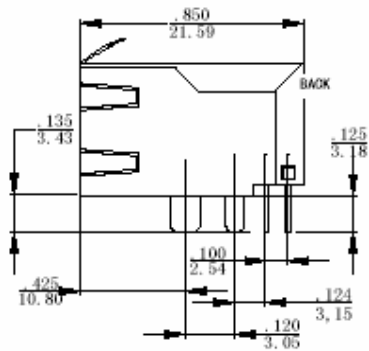


RoHS Compliant

**C**

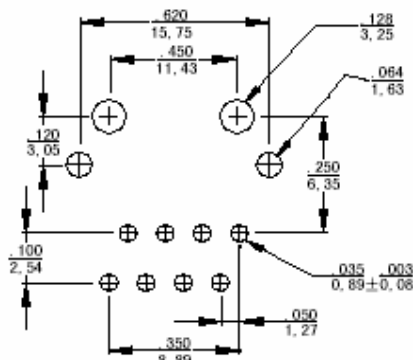
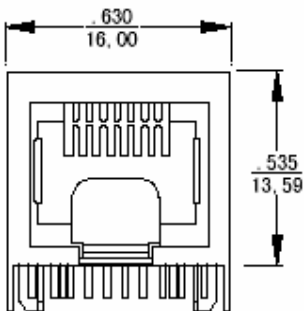


SUGGESTED PCB LAYOUT

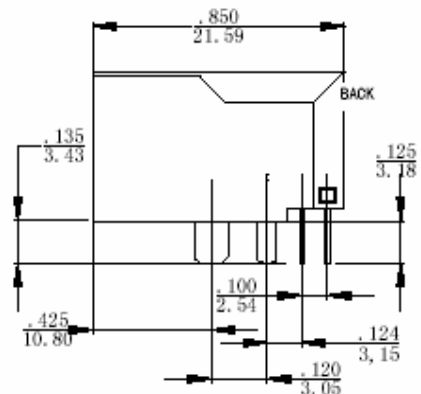


#### Mechanicals D : LED color Y(Left) & G(Right)

**D**



SUGGESTED PCB LAYOUT



# 10/100Base-TX RJ45 Connecto With Integrated Magnetics(Tab-Down)



Coilmaster Electronics Co., Ltd.

## SHAPES AND DIMENSIONS

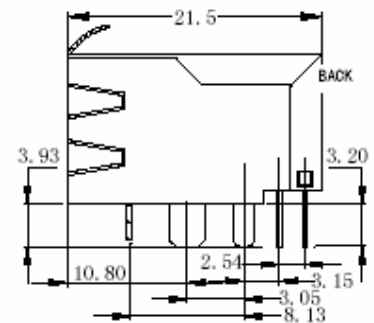
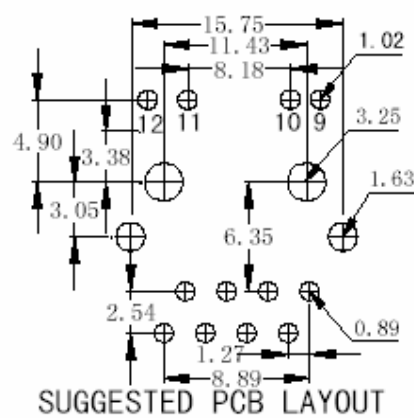
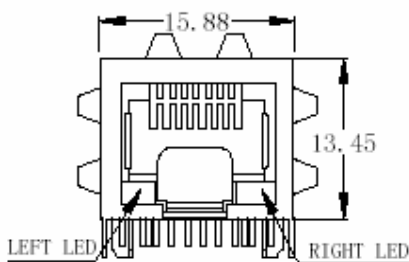


RoHS Compliant

### SHAPES AND DIMENSIONS

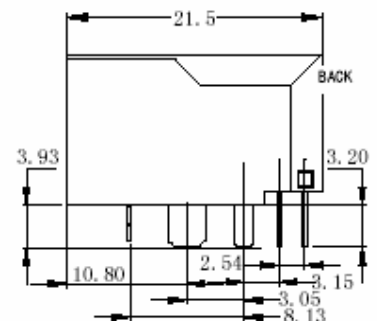
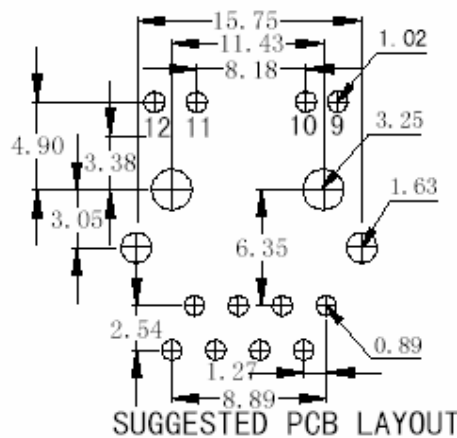
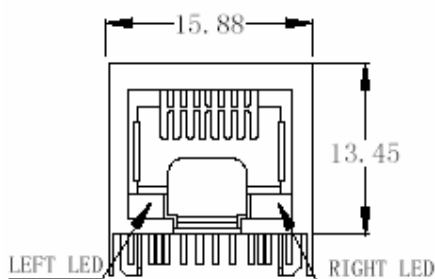
#### Mechanicals E : LED color G(Left) & Y(Right)

**E**



#### Mechanicals F : LED color G(Left) & G(Right)

**F**



# 10/100Base-TX RJ45 Connector With Integrated Magnetics(Tab-Down)



Coilmaster Electronics Co., Ltd.

## SHAPES AND DIMENSIONS

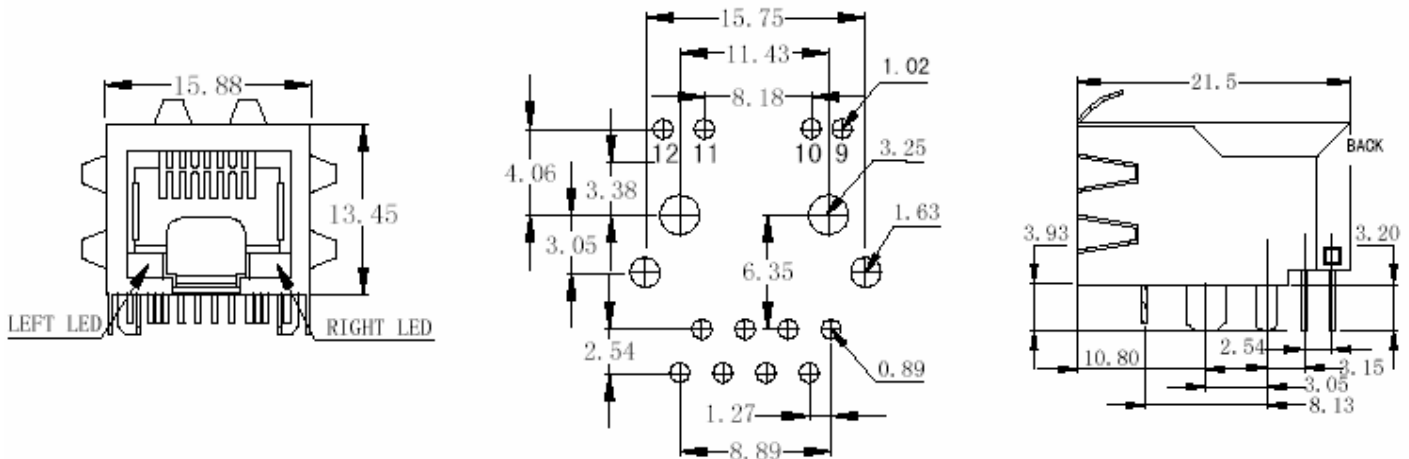


RoHS Compliant

### SHAPES AND DIMENSIONS

#### Mechanicals G : LED color Y(Left) & G(Right)

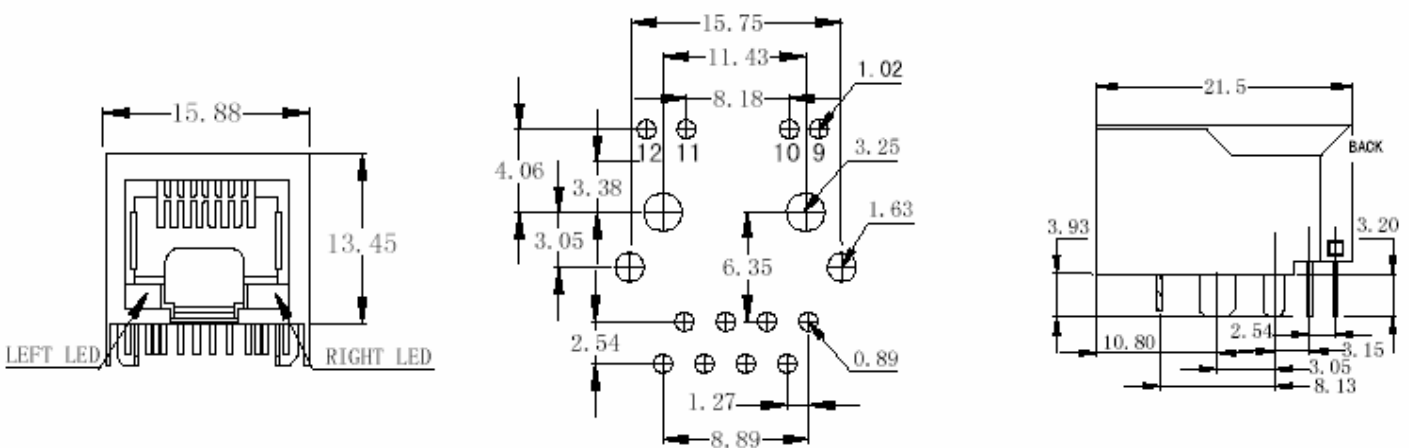
**G**



SUGGESTED PCB LAYOUT

#### Mechanicals H : LED color G(Left) & Y(Right)

**H**



SUGGESTED PCB LAYOUT

# 10/100Base-TX RJ45 Connector With Integrated Magnetics(Tab-Down)



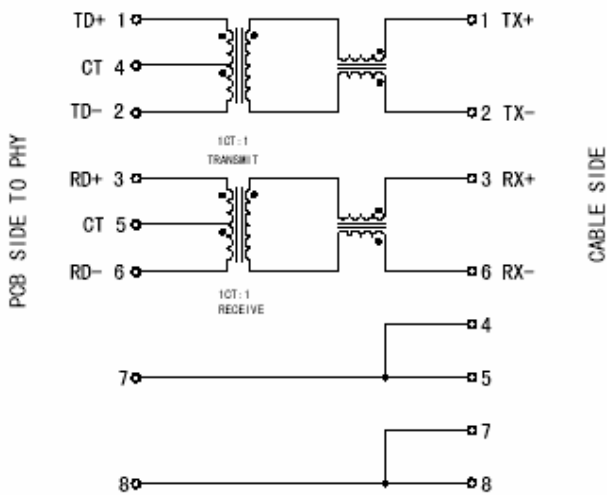
Coilmaster Electronics Co., Ltd.

## Schematics

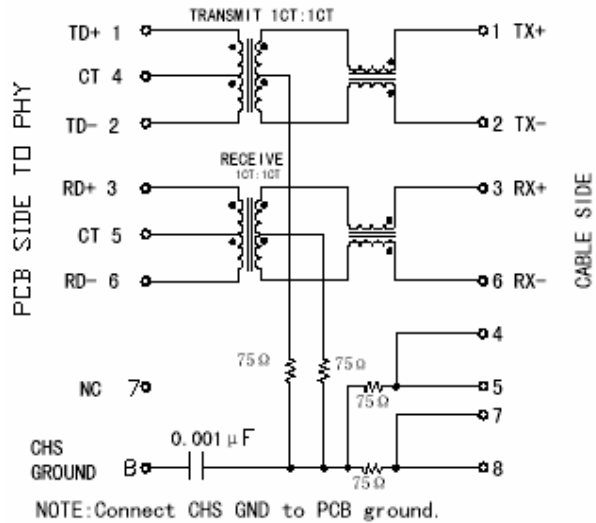


RoHS Compliant

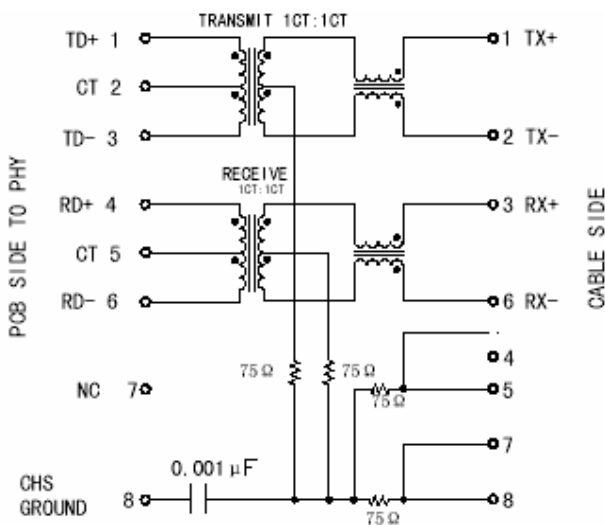
### RJ32-0006-LF



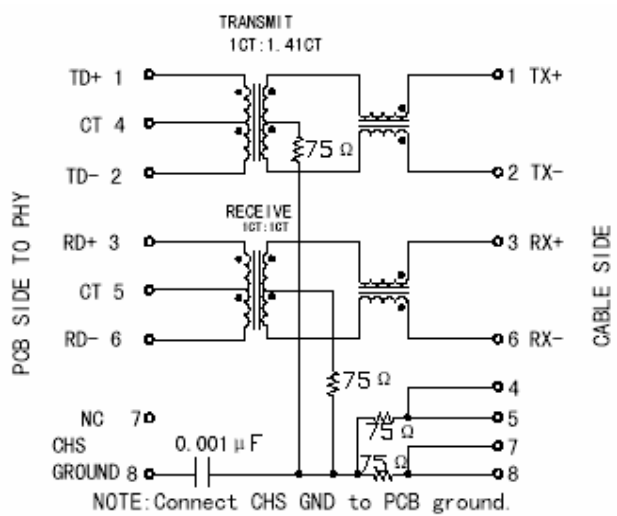
### RJ32-0011-LF



### RJ32-0012-LF



### RJ32-0018-LF



# 10/100Base-TX RJ45 Connector With Integrated Magnetics(Tab-Down)



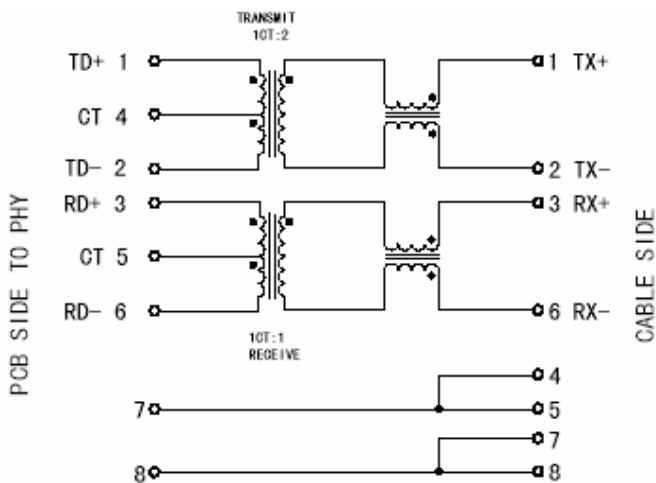
Coilmaster Electronics Co., Ltd.

## Schematics

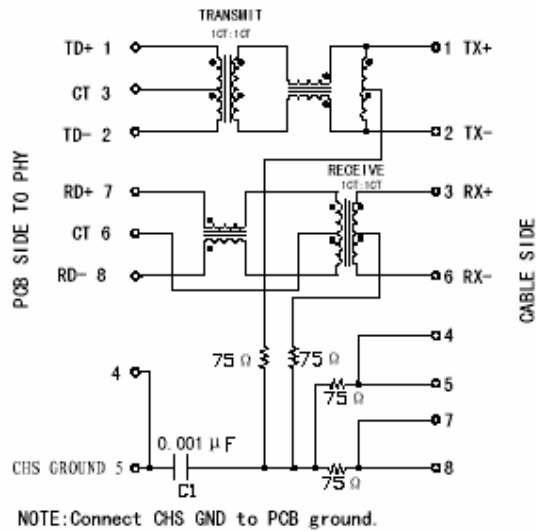


RoHS Compliant

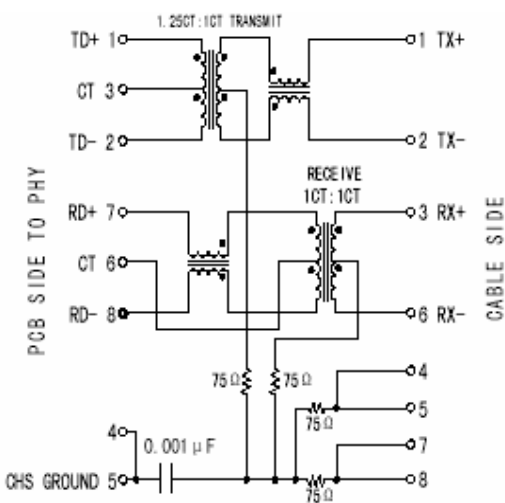
### RJ32-0024-LF



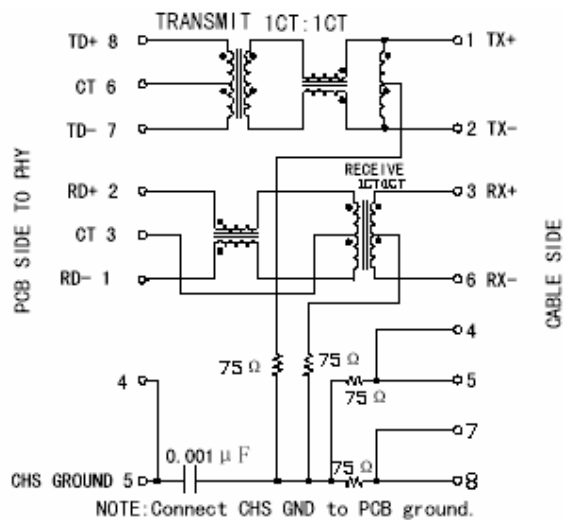
### RJ32-0026-LF



### RJ32-0033-LF



### RJ32-0035-LF



# 10/100Base-TX RJ45 Connector With Integrated Magnetics(Tab-Down)



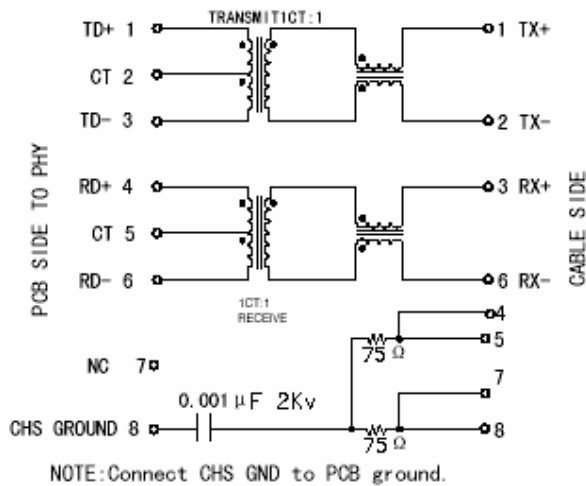
Coilmaster Electronics Co., Ltd

## Schematics

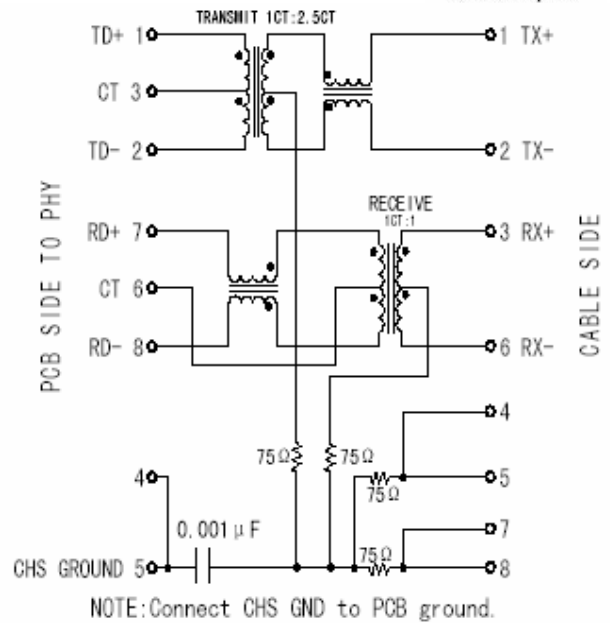


RoHS Compliant

### RJ32-0048-LF



### RJ32-0073-LF



## ELECTRICAL CHARACTERISTICS @ 25°C --- Operating Temperature 0°C to 70°C

PART NUMBER	Turns Ratios		Insertion Loss (dB Typ) 1-65MHz	Return loss (dB Typ) 100Ω±15Ω MHz				Crosstalk (dB Typ) MHz			Common Mode Rejection (dB Typ)		Hipot (Vrms Min) @60Hz
	TX	RX		1-10	10-30	30-60	60-100	1-30	30-60	60-100	1-50	50-150	
RJ320006-LF	1CT:1	1CT:1	-1.0	-20	-16	-12	-10	-40	-35	-30	-30	-20	1500
RJ320011-LF	1CT:1	1CT:1	-1.0	-20	-16	-12	-10	-40	-35	-30	-30	-20	1500
RJ320012-LF	1CT:1	1CT:1	-1.0	-20	-16	-12	-10	-40	-35	-30	-30	-20	1500
RJ320018-LF	1CT:1.4	1CT:1T	-1.0	-20	-16	-12	-10	-40	-35	-30	-30	-20	1500
RJ320024-LF	1CT:2	1CT:1	-1.0	-20	-16	-12	-10	-40	-35	-30	-30	-20	1500
RJ320026-LF	1CT:1	1CT:1	-1.0	-20	-16	-12	-10	-40	-35	-30	-30	-20	1500
RJ320033-LF	1.25CT:	1CT:1	-1.0	-20	-16	-12	-10	-40	-35	-30	-30	-20	1500
RJ320035-LF	1CT:1	1CT:1	-1.0	-20	-16	-12	-10	-40	-35	-30	-30	-20	1500
RJ320048-LF	1CT:1	1CT:1	-1.0	-20	-16	-12	-10	-40	-35	-30	-30	-20	1500
RJ320073-LF	1CT:2.5	1CT:1	-1.0	-20	-16	-12	-10	-40	-35	-30	-30	-20	1500