



AS1124 SERIES



RoHS Compliant

PART NUMBERING SYSTEM

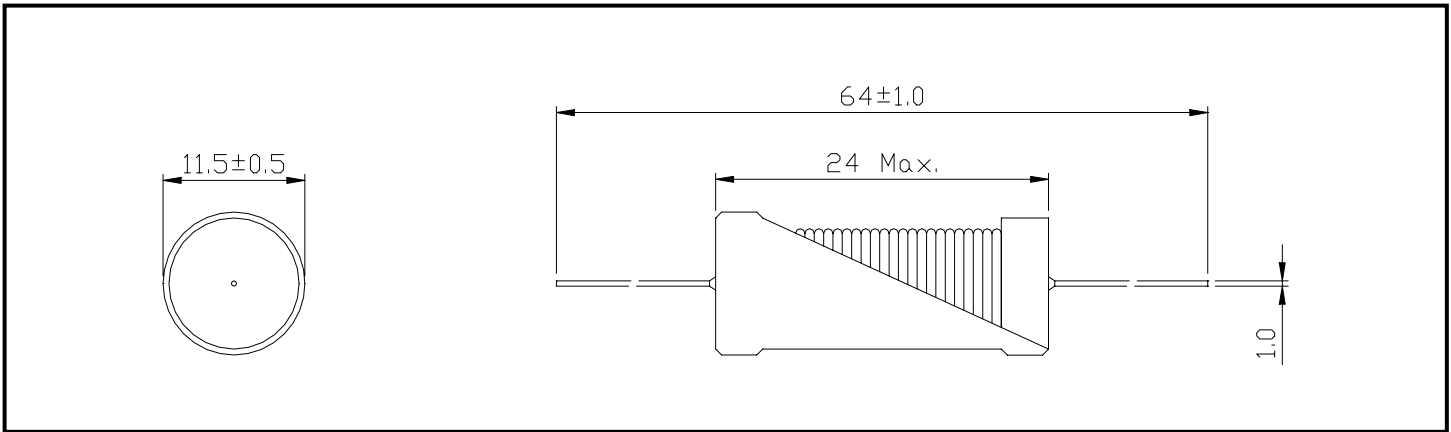
AS	1 1 2 4	-	1 0 0 K	-	LF
TYPE	DIMENSIONS		INDUCTANCE		LEAD FREE

U : UL Tube

P : PVC Tube

SHAPES AND DIMENSIONS

UNIT : mm



STRUCTURAL DIAGRAM :

	COMPONENT	MATERIALS
	1.Core	Ferrite core
	2.Wire	Polyurethane enameled copper wires
	3.Lead wire	Tinned copper wires
	4.Tube	Heat shrinkable tube, PVC or UL
	5.Glue	Epoxy resin



AS1124 SERIES



RoHS Compliant

SPECIFICATION TABLE

PART NUMBER	INDUCTANCE (μ H)(at 1KHz)	DCR () (max)	Rated Current (A)	
			L/L=-10%(max)	T=40 (max)
AS1124-100K-LF	10	0.025	8.00	5.80
AS1124-120K-LF	12	0.028	7.50	5.40
AS1124-150K-LF	15	0.032	6.80	5.20
AS1124-180K-LF	18	0.035	6.30	5.00
AS1124-220K-LF	22	0.040	5.60	4.30
AS1124-270K-LF	27	0.048	5.00	4.00
AS1124-330K-LF	33	0.055	4.50	3.80
AS1124-390K-LF	39	0.060	4.30	3.50
AS1124-470K-LF	47	0.075	3.80	2.80
AS1124-560K-LF	56	0.085	3.50	2.60
AS1124-680K-LF	68	0.095	3.10	2.50
AS1124-820K-LF	82	0.10	2.85	2.40
AS1124-101K-LF	100	0.13	2.60	2.20
AS1124-121K-LF	120	0.16	2.30	2.00
AS1124-151K-LF	150	0.17	2.15	1.80
AS1124-181K-LF	180	0.19	2.00	1.70
AS1124-221K-LF	220	0.25	1.85	1.60
AS1124-271K-LF	270	0.28	1.60	1.50
AS1124-331K-LF	330	0.32	1.45	1.40
AS1124-391K-LF	390	0.36	1.35	1.30
AS1124-471K-LF	470	0.48	1.20	1.10
AS1124-561K-LF	560	0.53	1.10	1.00
AS1124-681K-LF	680	0.60	1.05	0.95
AS1124-821K-LF	820	0.80	0.95	0.88



AS1124 SERIES



RoHS Compliant

SPECIFICATION TABLE

PART NUMBER	INDUCTANCE (μ H)	DCR () (max)	Rated Current (A)	
			L/L=-10%(max)	T=40 (max)
AS1124-102K-LF	1000	0.90	0.85	0.80
AS1124-122K-LF	1200	1.20	0.75	0.70
AS1124-152K-LF	1500	1.40	0.70	0.64
AS1124-182K-LF	1800	1.80	0.65	0.58
AS1124-222K-LF	2200	2.05	0.58	0.54
AS1124-272K-LF	2700	2.60	0.52	0.47
AS1124-332K-LF	3300	2.95	0.46	0.45
AS1124-392K-LF	3900	3.60	0.42	0.40
AS1124-472K-LF	4700	4.10	0.38	0.37
AS1124-562K-LF	5600	5.10	0.34	0.33
AS1124-682K-LF	6800	5.90	0.30	0.30
AS1124-822K-LF	8200	7.50	0.26	0.27
AS1124-103K-LF	10000	9.50	0.24	0.24