



RDR1008 SERIES



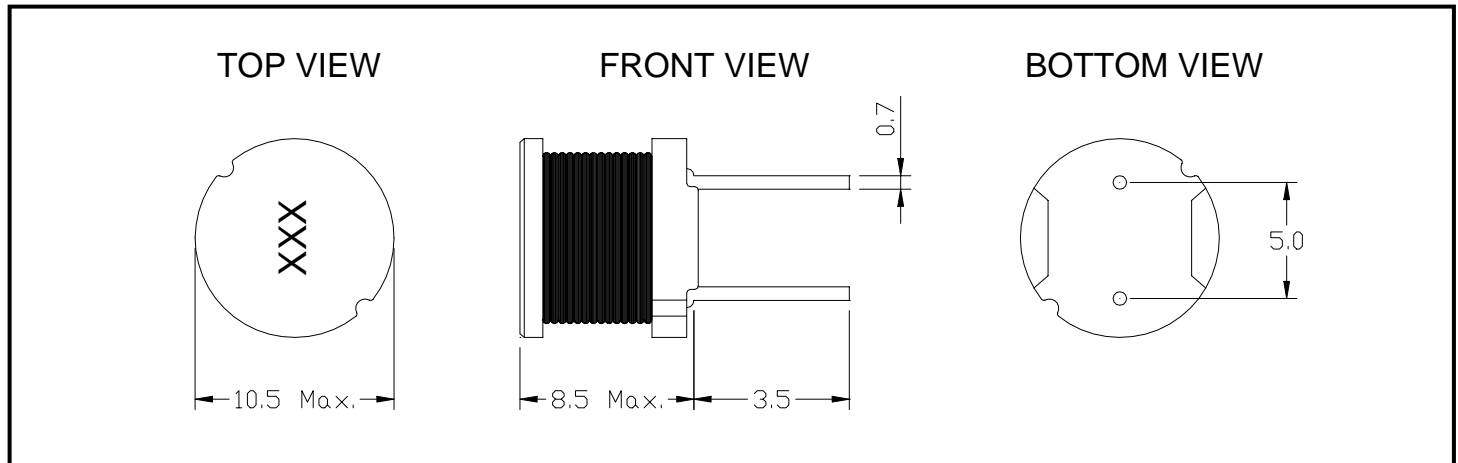
RoHS Compliant

PART NUMBERING SYSTEM

| | | | | | |
|------------|----------------|---|----------------|---|-----------|
| <u>RDR</u> | <u>1 0 0 8</u> | - | <u>1 0 0 M</u> | - | <u>LF</u> |
| TYPE | DIMENSIONS | | INDUCTANCE | | LEAD FREE |

SHAPES AND DIMENSIONS

UNIT : mm





RDR1008 SERIES



SPECIFICATION TABLE

| PART NUMBER | INDUCTANCE (μ H) | DCR (Ω) (Max.) | IDC (A) (Max.) | TEST FREQ. (f) |
|-----------------|--------------------------|----------------------------|---------------------|---------------------|
| RDR1008-2R2M-LF | 2.2 \pm 20% | 0.0085 | 7.9 | 7.96MHz |
| RDR1008-2R7M-LF | 2.7 \pm 20% | 0.0096 | 7.2 | 7.96MHz |
| RDR1008-3R7M-LF | 3.7 \pm 20% | 0.0109 | 6.3 | 7.96MHz |
| RDR1008-4R7M-LF | 4.7 \pm 20% | 0.0117 | 5.7 | 7.96MHz |
| RDR1008-6R2M-LF | 6.2 \pm 20% | 0.0153 | 5.3 | 7.96MHz |
| RDR1008-8R2M-LF | 8.2 \pm 20% | 0.0170 | 5.0 | 7.96MHz |
| RDR1008-100M-LF | 10 \pm 20% | 0.027 | 4.5 | 1KHz |
| RDR1008-120M-LF | 12 \pm 20% | 0.031 | 4.1 | 1KHz |
| RDR1008-150M-LF | 15 \pm 20% | 0.036 | 3.7 | 1KHz |
| RDR1008-180M-LF | 18 \pm 20% | 0.049 | 3.4 | 1KHz |
| RDR1008-220M-LF | 22 \pm 20% | 0.055 | 3.1 | 1KHz |
| RDR1008-270M-LF | 27 \pm 20% | 0.062 | 2.8 | 1KHz |
| RDR1008-330K-LF | 33 \pm 10% | 0.079 | 2.5 | 1KHz |
| RDR1008-390K-LF | 39 \pm 10% | 0.087 | 2.3 | 1KHz |
| RDR1008-470K-LF | 47 \pm 10% | 0.099 | 2.1 | 1KHz |
| RDR1008-560K-LF | 56 \pm 10% | 0.13 | 1.9 | 1KHz |
| RDR1008-680K-LF | 68 \pm 10% | 0.14 | 1.7 | 1KHz |
| RDR1008-820K-LF | 82 \pm 10% | 0.16 | 1.6 | 1KHz |
| RDR1008-101K-LF | 100 \pm 10% | 0.21 | 1.4 | 1KHz |
| RDR1008-121K-LF | 120 \pm 10% | 0.24 | 1.3 | 1KHz |
| RDR1008-151K-LF | 150 \pm 10% | 0.32 | 1.2 | 1KHz |
| RDR1008-181K-LF | 180 \pm 10% | 0.35 | 1.1 | 1KHz |
| RDR1008-221K-LF | 220 \pm 10% | 0.45 | 0.96 | 1KHz |
| RDR1008-271K-LF | 270 \pm 10% | 0.61 | 0.87 | 1KHz |
| RDR1008-331K-LF | 330 \pm 10% | 0.69 | 0.79 | 1KHz |
| RDR1008-391K-LF | 390 \pm 10% | 0.78 | 0.72 | 1KHz |
| RDR1008-471K-LF | 470 \pm 10% | 1.0 | 0.66 | 1KHz |
| RDR1008-561K-LF | 560 \pm 10% | 1.2 | 0.60 | 1KHz |
| RDR1008-681K-LF | 680 \pm 10% | 1.4 | 0.55 | 1KHz |
| RDR1008-821K-LF | 820 \pm 10% | 1.8 | 0.50 | 1KHz |
| RDR1008-102K-LF | 1000 \pm 10% | 2.1 | 0.45 | 1KHz |

1. Operating temperature range -40 to +85
2. Electrical specifications at 25