



SBS0603 SERIES –Shielded SMD Power Inductors



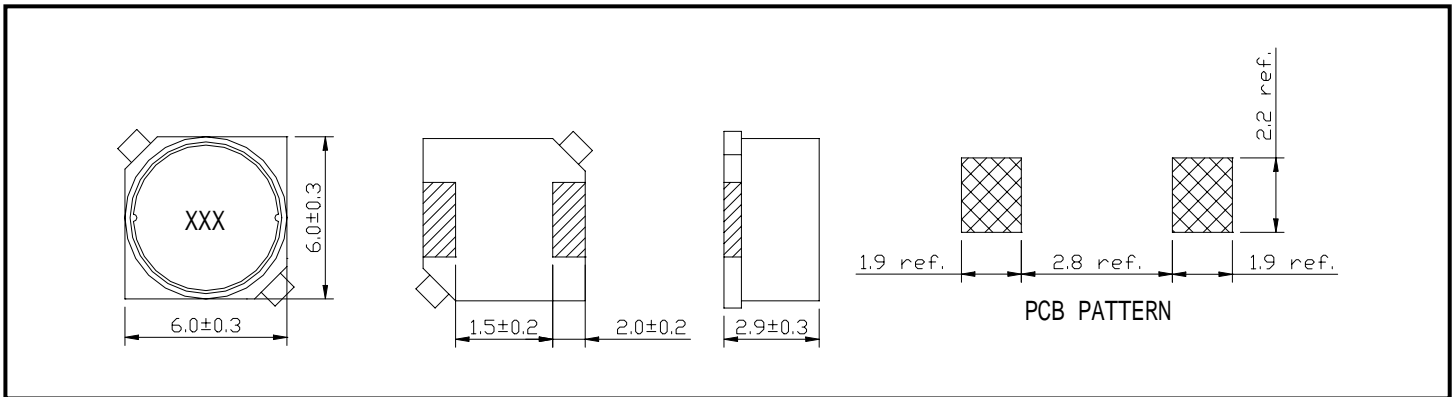
RoHS Compliant

PART NUMBERING SYSTEM

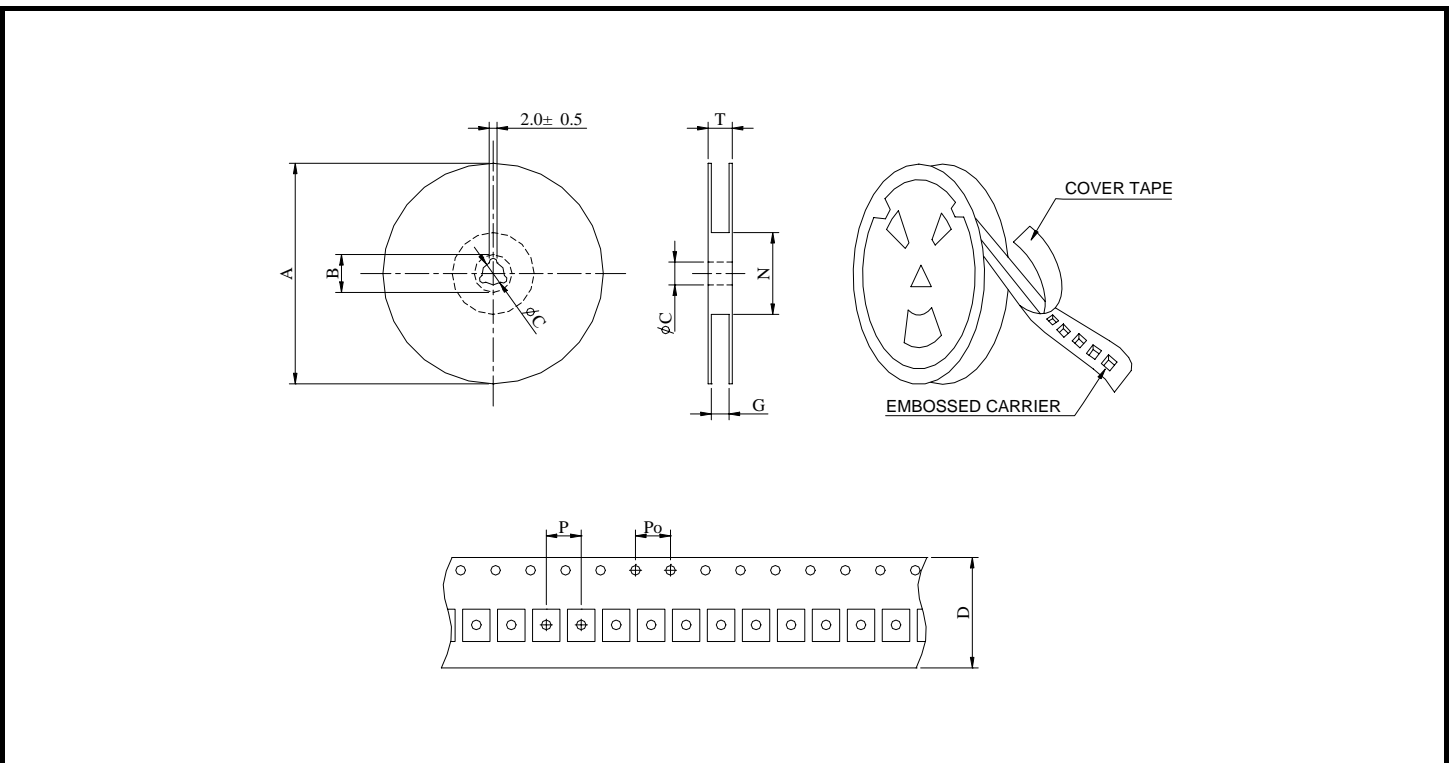
SBS	0603	-	100M	-	LF
TYPE	DIMENSIONS		INDUCTANCE		LEAD FREE

SHAPES AND DIMENSIONS

UNIT : mm



PACKAGING SPECIFICATION



SERIES	STAYLE	Q' TY (PCS)	DIMENSIONS (m/m)								
			A	B ± 0.8	C ± 0.5	D	G ⁺⁰	N ⁰	P	P ₀	T
SBS0603	13-16	1000	330	21	13	16	18	50	12	4	22.4



SBS0603 SERIES –Shielded SMD Power Inductors



RoHS Compliant

SPECIFICATION TABLE

PART NUMBER	INDUCTANCE (μ H)	DCR (Ω) (Max.)	IDC (A) (Max.)	TEST FREQ. (f)
SBS0603-1R0M-LF	1.0 \pm 20%	0.019	2.40	100KHz
SBS0603-1R5M-LF	1.5 \pm 20%	0.025	2.20	100KHz
SBS0603-2R2M-LF	2.2 \pm 20%	0.032	1.90	100KHz
SBS0603-3R3M-LF	3.3 \pm 20%	0.050	1.50	100KHz
SBS0603-4R7M-LF	4.7 \pm 20%	0.060	1.30	100KHz
SBS0603-6R8M-LF	6.8 \pm 20%	0.070	1.20	100KHz
SBS0603-100M-LF	10 \pm 20%	0.120	1.00	100KHz
SBS0603-120M-LF	12 \pm 20%	0.130	0.90	100KHz
SBS0603-150M-LF	15 \pm 20%	0.150	0.80	100KHz
SBS0603-180M-LF	18 \pm 20%	0.160	0.75	100KHz
SBS0603-220M-LF	22 \pm 20%	0.230	0.65	100KHz
SBS0603-270M-LF	27 \pm 20%	0.250	0.60	100KHz
SBS0603-330M-LF	33 \pm 20%	0.340	0.55	100KHz
SBS0603-390M-LF	39 \pm 20%	0.380	0.52	100KHz
SBS0603-470M-LF	47 \pm 20%	0.420	0.50	100KHz
SBS0603-560M-LF	56 \pm 20%	0.570	0.48	100KHz
SBS0603-680M-LF	68 \pm 20%	0.620	0.45	100KHz
SBS0603-820M-LF	82 \pm 20%	0.900	0.40	100KHz
SBS0603-101M-LF	100 \pm 20%	0.990	0.35	100KHz
SBS0603-121M-LF	120 \pm 20%	1.150	0.30	100KHz
SBS0603-151M-LF	150 \pm 20%	1.750	0.28	100KHz
SBS0603-181M-LF	180 \pm 20%	1.950	0.26	100KHz
SBS0603-221M-LF	220 \pm 20%	2.200	0.22	100KHz
SBS0603-271M-LF	270 \pm 20%	2.500	0.20	100KHz
SBS0603-331M-LF	330 \pm 20%	3.200	0.18	100KHz
SBS0603-391M-LF	390 \pm 20%	3.500	0.17	100KHz
SBS0603-471M-LF	470 \pm 20%	4.950	0.16	100KHz
SBS0603-561M-LF	560 \pm 20%	5.350	0.15	100KHz
SBS0603-681M-LF	680 \pm 20%	6.300	0.14	100KHz
SBS0603-821M-LF	820 \pm 20%	8.200	0.13	100KHz
SBS0603-102M-LF	1000 \pm 20%	9.200	0.11	100KHz

DC current at which the inductance drops 10% (typ) from its value without current.

Operating temperature range -20 to +85

Electrical specifications at 25 .