



SDO3308 SERIES



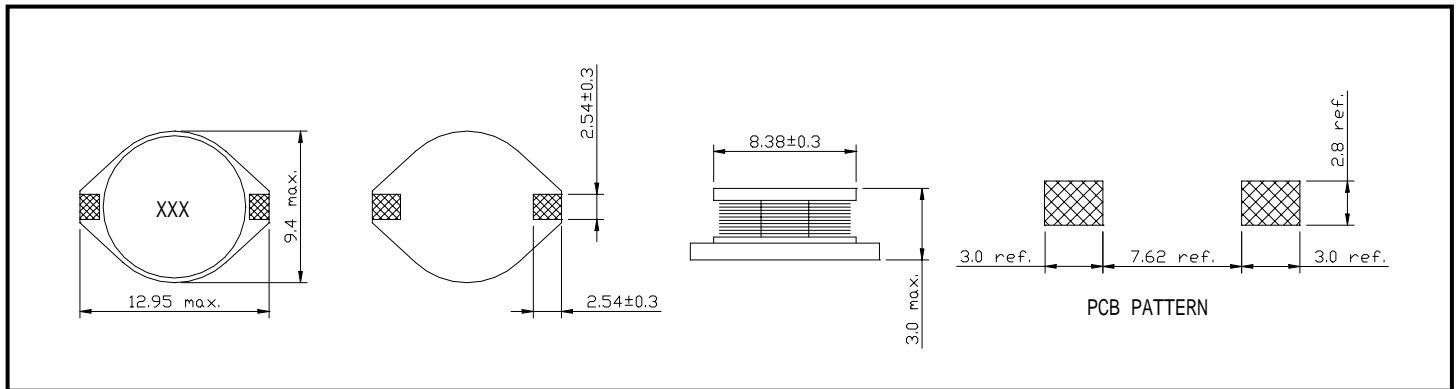
RoHS Compliant

PART NUMBERING SYSTEM

<u>SDO</u>	<u>3 3 0 8</u>	-	<u>1 0 0 M</u>	-	<u>LF</u>
TYPE	DIMENSIONS		INDUCTANCE		LEAD FREE

SHAPES AND DIMENSIONS

UNIT : mm





SDO3308 SERIES

SPECIFICATION TABLE

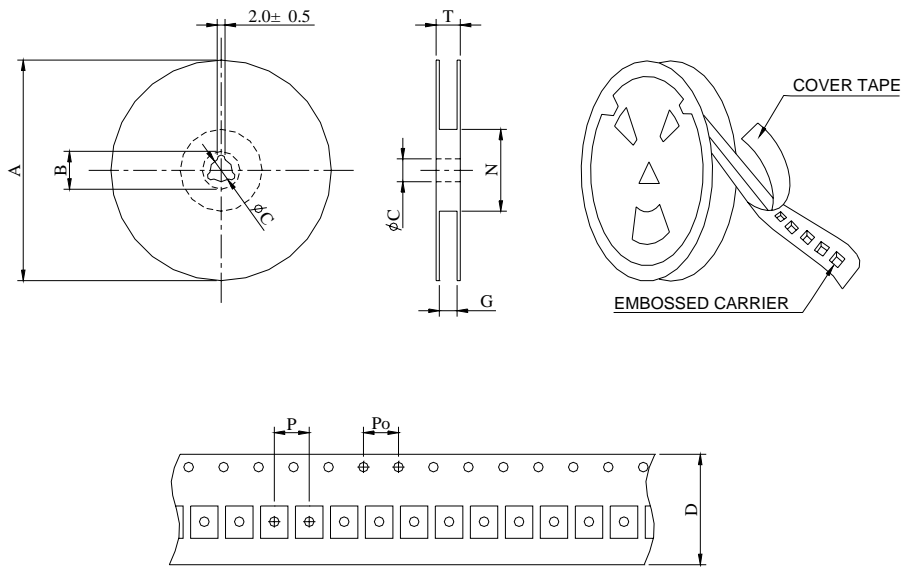
PART NUMBER	INDUCTANCE (μ H)	DCR () (Max.)	Isat (A) (Max.)	Irms (A) (Max.)	SRF(MHz) (Ref.)
SDO3308-4R7M-LF	4.7 \pm 20%	0.036	4.2	3.2	50
SDO3308-6R8M-LF	6.8 \pm 20%	0.060	3.9	2.6	47
SDO3308-100M-LF	10 \pm 20%	0.085	2.7	2.3	37
SDO3308-150M-LF	15 \pm 20%	0.12	2.3	1.9	35
SDO3308-220M-LF	22 \pm 20%	0.18	1.8	1.5	26
SDO3308-330M-LF	33 \pm 20%	0.25	1.6	1.2	19
SDO3308-470M-LF	47 \pm 20%	0.32	1.3	1.0	14
SDO3308-680M-LF	68 \pm 20%	0.54	1.1	0.90	12
SDO3308-101M-LF	100 \pm 20%	0.69	0.87	0.73	11
SDO3308-151M-LF	150 \pm 20%	0.94	0.74	0.62	9.0
SDO3308-221M-LF	220 \pm 20%	1.60	0.56	0.51	6.0
SDO3308-331M-LF	330 \pm 20%	2.15	0.50	0.40	5.5
SDO3308-471M-LF	470 \pm 20%	3.30	0.40	0.33	4.5
SDO3308-681M-LF	680 \pm 20%	4.40	0.33	0.28	3.5
SDO3308-102M-LF	1000 \pm 20%	7.00	0.29	0.23	2.5

1. Inductance is measured with a LCR meter 4284A or equivalent.
2. Inductance drop=10% typ. at rated current.
3. Operating temperature range -40 to +85
4. Electrical specifications at 25



SDO3308 SERIES

PACKAGING SPECIFICATION



SERIES	STAYLE	Q ' TY (PCS)	DIMENSIONS (m/m)								
			A	B±0.8	C±0.5	D	G ⁺ 0	N ⁰	P	Po	T
SDO3308	13-24	1000	330	21	13	24	26	50	16	4	30.4