



# SDR105 SERIES – SMD Power Inductors



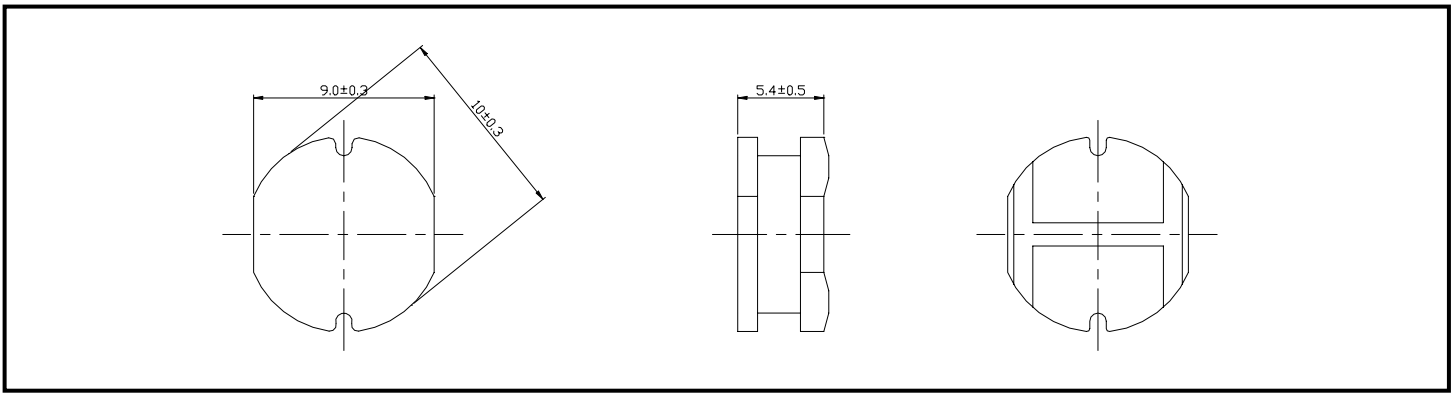
RoHS Compliant

## PART NUMBERING SYSTEM

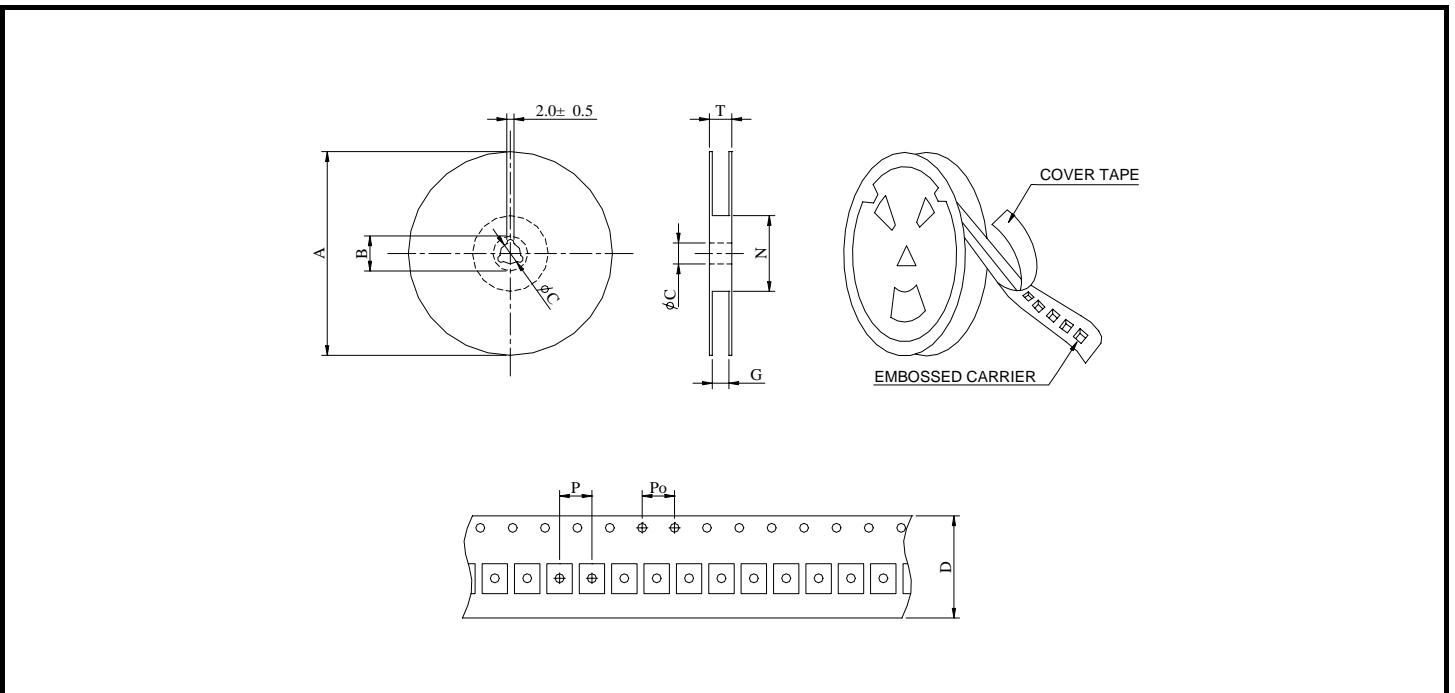
<b>SDR</b>	<b>1 0 5</b>	<b>-</b>	<b>6 8 0 K</b>	<b>- LF</b>
TYPE	DIMENSIONS		INDUCTANCE	LEAD FREE

## SHAPES AND DIMENSIONS

UNIT : mm



## PACKAGING SPECIFICATION



SERIES	STAYLE	Q ' TY (PCS)	DIMENSIONS (m/m)								
			A	B±0.8	C±0.5	D	G <sup>+0</sup>	N <sup>0</sup>	P	Po	T
SDR105	13-24	500	330	21	13	24	26	50	12	4	30.4



## SDR105 SERIES – SMD Power Inductors



RoHS Compliant

### SPECIFICATION TABLE

PART NUMBER	INDUCTANCE ( $\mu$ H)	DCR ( ) (Max.)	IDC ( A ) (Max.)	TEST FREQ. (MHz)
SDR105-100M-LF	10 $\pm$ 20%	0.06	2.60	2.52
SDR105-120M-LF	12 $\pm$ 20%	0.07	2.45	2.52
SDR105-150M-LF	15 $\pm$ 20%	0.08	2.27	2.52
SDR105-180M-LF	18 $\pm$ 20%	0.09	2.15	2.52
SDR105-220M-LF	22 $\pm$ 20%	0.10	1.95	2.52
SDR105-270M-LF	27 $\pm$ 20%	0.11	1.76	2.52
SDR105-330M-LF	33 $\pm$ 20%	0.14	1.50	2.52
SDR105-390M-LF	39 $\pm$ 20%	0.17	1.37	2.52
SDR105-470K-LF	47 $\pm$ 10%	0.25	1.28	2.52
SDR105-560K-LF	56 $\pm$ 10%	0.19	1.17	2.52
SDR105-680K-LF	68 $\pm$ 10%	0.22	1.11	2.52
SDR105-820K-LF	82 $\pm$ 10%	0.25	1.00	2.52
SDR105-101K-LF	100 $\pm$ 10%	0.35	0.97	1KHz
SDR105-121K-LF	120 $\pm$ 10%	0.40	0.89	1KHz
SDR105-151K-LF	150 $\pm$ 10%	0.47	0.78	1KHz
SDR105-181K-LF	180 $\pm$ 10%	0.63	0.72	1KHz
SDR105-221K-LF	220 $\pm$ 10%	0.73	0.66	1KHz
SDR105-271K-LF	270 $\pm$ 10%	0.97	0.57	1KHz
SDR105-331K-LF	330 $\pm$ 10%	1.15	0.52	1KHz
SDR105-391K-LF	390 $\pm$ 10%	1.30	0.48	1KHz
SDR105-471K-LF	470 $\pm$ 10%	1.48	0.42	1KHz
SDR105-561K-LF	560 $\pm$ 10%	1.90	0.33	1KHz
SDR105-681K-LF	680 $\pm$ 10%	2.25	0.28	1KHz
SDR105-821K-LF	820 $\pm$ 10%	2.55	0.24	1KHz

DC current at which the inductance drops 10% (typ) from its value without current.

Operating temperature range -40 to +125 .

Electrical specifications at 25 .

Packing : 13" reel, machine-ready ,embossed plastic tape ( 500 parts per full reel).