



SDR75 SERIES – SMD Power Inductors



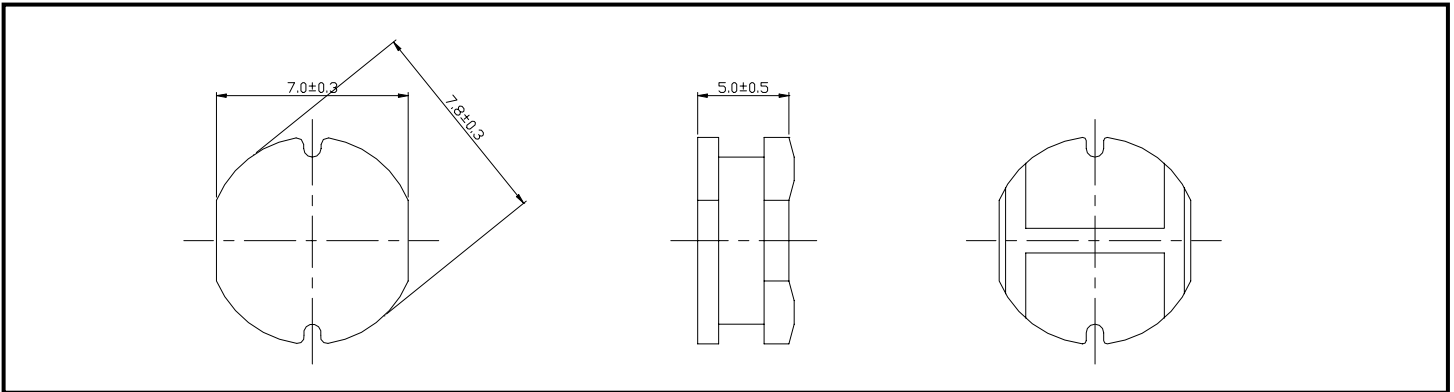
RoHS Compliant

PART NUMBERING SYSTEM

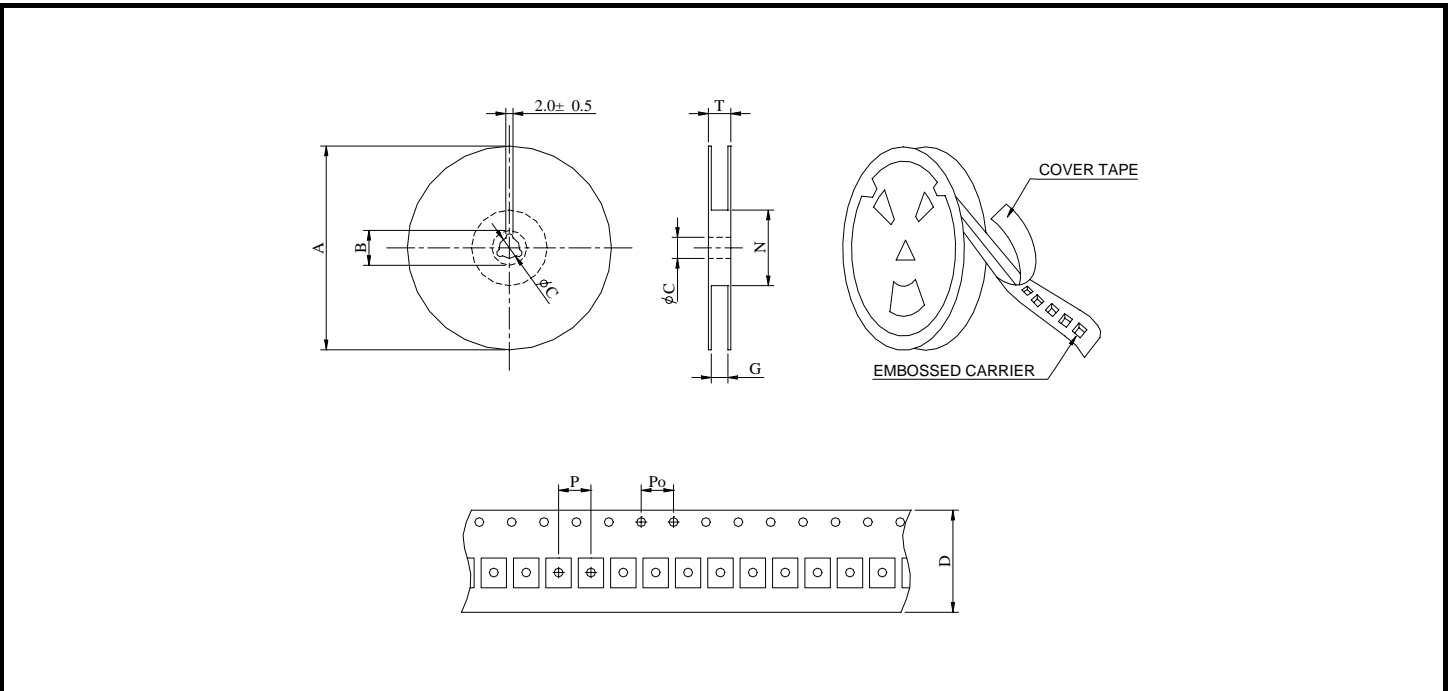
SDR	7 5	-	100M	- LF
TYPE	DIMENSIONS		INDUCTANCE	LEAD FREE

SHAPES AND DIMENSIONS

UNIT : mm



PACKAGING SPECIFICATION



SERIES	STAYLE	Q ' TY (PCS)	DIMENSIONS (m/m)								
			A	B±0.8	C±0.5	D	G ⁺⁰	N ⁻⁰	P	Po	T
SDR75	13-16	1000	330	21	13	16	18	50	12	4	22.4



SDR75 SERIES – SMD Power Inductors



RoHS Compliant

SPECIFICATION TABLE

PART NUMBER	INDUCTANCE (μ H)	DCR () (Max.)	IDC (A) (Max.)	TEST FREQ. (MHz)
SDR75-100M-LF	10 \pm 20%	0.07	2.30	2.52
SDR75-120M-LF	12 \pm 20%	0.08	2.00	2.52
SDR75-150M-LF	15 \pm 20%	0.09	1.80	2.52
SDR75-180M-LF	18 \pm 20%	0.10	1.60	2.52
SDR75-220M-LF	22 \pm 20%	0.11	1.50	2.52
SDR75-270M-LF	27 \pm 20%	0.12	1.30	2.52
SDR75-330K-LF	33 \pm 10%	0.13	1.20	2.52
SDR75-390K-LF	39 \pm 10%	0.16	1.10	2.52
SDR75-470K-LF	47 \pm 10%	0.18	1.10	2.52
SDR75-560K-LF	56 \pm 10%	0.24	0.94	2.52
SDR75-680K-LF	68 \pm 10%	0.28	0.85	2.52
SDR75-820K-LF	82 \pm 10%	0.37	0.78	2.52
SDR75-101K-LF	100 \pm 10%	0.43	0.72	1KHz
SDR75-121K-LF	120 \pm 10%	0.47	0.66	1KHz
SDR75-151K-LF	150 \pm 10%	0.64	0.58	1KHz
SDR75-181K-LF	180 \pm 10%	0.71	0.51	1KHz
SDR75-221K-LF	220 \pm 10%	0.96	0.49	1KHz
SDR75-271K-LF	270 \pm 10%	1.11	0.42	1KHz
SDR75-331K-LF	330 \pm 10%	1.26	0.40	1KHz
SDR75-391K-LF	390 \pm 10%	1.77	0.36	1KHz
SDR75-471K-LF	470 \pm 10%	1.96	0.34	1KHz

DC current at which the inductance drops 10% (typ) from its value without current.

Operating temperature range -40 to +125 .

Electrical specifications at 25 .

Packing : 13" reel, machine-ready ,embossed plastic tape (1,000 parts per full reel).