



# SEP0603J SERIES - High Current Surface Mounting Inductors



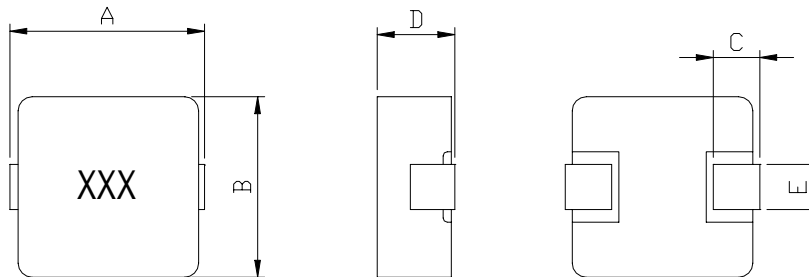
## PART NUMBERING SYSTEM

<b>SEP</b>	<b>0 6 0 3 J</b>	-	<b>1 R 0 M</b>	-	<b>LF</b>
TYPE	DIMENSIONS		INDUCTANCE		LEAD FREE

## FEATURES :

- Low profile ( 3.00mm max. height ) and 7.6 mm max. square.
- Magnetically shielded and low DC resistance .
- Suitable for large current .
- Ideal for DC – DC converter inductor application in hand help personal Computer ,etc .
- Large current handling capability .

## SHAPES AND DIMENSIONS :

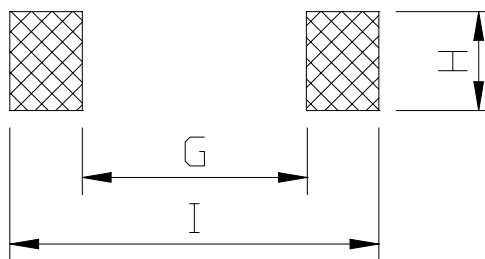


**A=7.9 Max. B=6.9 Max. C=1.4 Ref. D=3.0 Max. E=**

**UNIT : mm**

SEP0603J-R47 E=1.5 Ref. ; SEP0603J-R68 E=1.0 Ref. ; SEP0603J-1R0~4R7 E=2.0 Ref.

## RECOMMENDED PATTERNS



**H= G= 4.2 I = 9.0**

**UNIT : mm**

SEP0603J-R47 H=2.5 Ref. ; SEP0603J-R68 H=2.0 Ref. ; SEP0603J-1R0~4R7 H=3.0 Ref.



## SEP0603J SERIES – Low Profile Power Inductors



RoHS Compliant

### SPECIFICATION TABLE

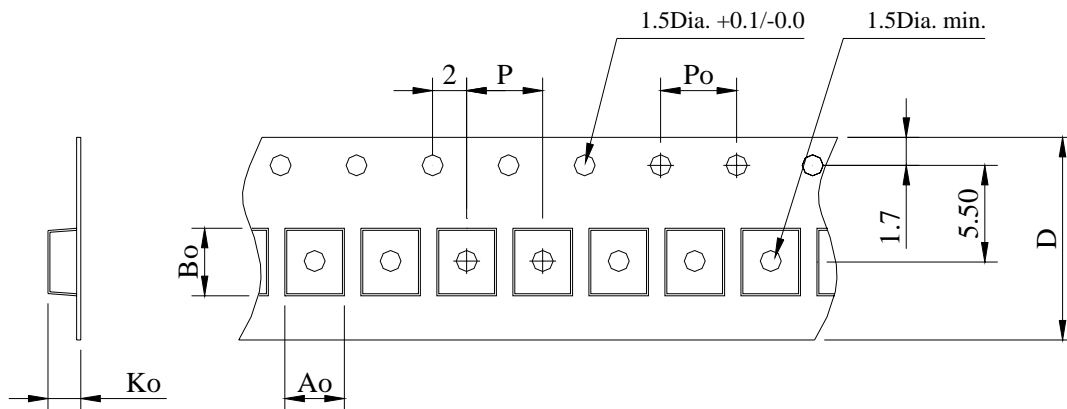
PART NUMBER	INDUCTANCE ( $\mu$ H)	Isat ( A ) (Max.)	Irms ( A ) (Max.)	DCR (m $\Omega$ ) (Max.)	TEST FREQ. ( f )
SEP0603J-R47M-LF	0.47 $\pm$ 20%	17.0	13.0	4.2	100KHz/0.1V
SEP0603J-R68M-LF	0.68 $\pm$ 20%	13.0	11.0	5.5	100KHz/0.1V
SEP0603J-1R0M-LF	1.0 $\pm$ 20%	11.0	8.0	10	100KHz/0.1V
SEP0603J-2R2M-LF	2.2 $\pm$ 20%	7.0	5.5	20	100KHz/0.1V
SEP0603J-3R3M-LF	3.3 $\pm$ 20%	5.5	4.5	30	100KHz/0.1V
SEP0603J-4R7M-LF	4.7 $\pm$ 20%	4.5	4.0	40	100KHz/0.1V

I sat : DC current at which the inductance drops 20% (typ) from its value without current.

Operating temperature range -30 to +120 .

Electrical specifications at 20 .

### PACKAGING SPECIFICATION



STAYLE	Q ' TY (PCS)	DIMENSIONS (m/m)					
		Ao	Bo	Ko	P	Po	D $\pm$ 0.3
13"	1,000	7.2	7.0	3.4	12	4.0	16