



# SEP1205E SERIES - High Current SMD Power Inductors



## PART NUMBERING SYSTEM

<b>SEP</b>	<b>1 2 0 5 E</b>	-	<b>1 R 0 M</b>	-	<b>LF</b>
TYPE	DIMENSIONS		INDUCTANCE		LEAD FREE

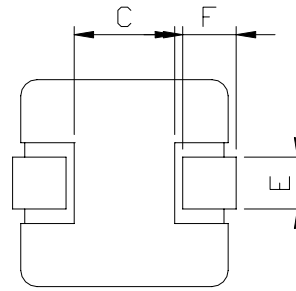
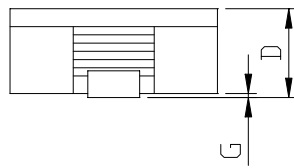
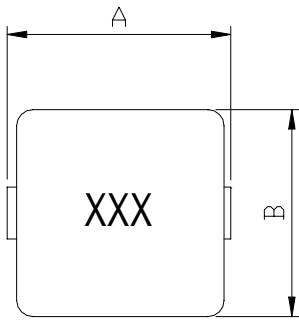
## SHAPES AND DIMENSIONS :

UNIT : mm



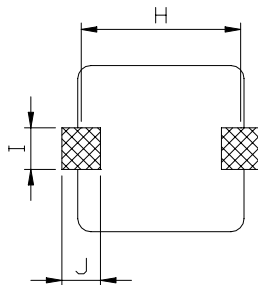
### FEATURES :

- \* Low profile.
- \* Magnetically shielded low DC resistance .
- \* Suitable for large current application.
- \* Laptop & Notebook computers.
- \* Battery powered equipment.
- \* DC/DC converters.
- \* Digital, Cameras, Scanners, CD-ROM & DVD.



**A=13.0±1.0 B=12.8±0.5 C=6.0 Ref. D=5.0 Max. E=3.8±1.0 F=2.5±0.5 G=0.2 Max. UNIT : mm**

## RECOMMENDED PATTERNS



**H=10.25 I= 5.00 J= 4.25 UNIT : mm**



# SEP1205E SERIES – High Current SMD Power Inductors



RoHS Compliant

## SPECIFICATION TABLE

PART NUMBER	INDUCTANCE ( $\mu$ H)	Isat ( A ) (Max.)	I rms ( A )		DCR (m $\Omega$ ) (Max.)	Test Freq. (KHz)
			( t ) 40	(Max.)		
SEP1205E-R33M-LF	0.33 $\pm$ 20%	80	42		1.10	100KHz/1V
SEP1205E-R47M-LF	0.47 $\pm$ 20%	65	38		1.30	100KHz/1V
SEP1205E-R56M-LF	0.56 $\pm$ 20%	55	36		1.50	100KHz/1V
SEP1205E-R68M-LF	0.68 $\pm$ 20%	54	34		1.70	100KHz/1V
SEP1205E-R82M-LF	0.82 $\pm$ 20%	53	31		2.30	100KHz/1V
SEP1205E-1R0M-LF	1.00 $\pm$ 20%	50	29		2.50	100KHz/1V
SEP1205E-1R5M-LF	1.50 $\pm$ 20%	48	23		4.10	100KHz/1V
SEP1205E-1R8M-LF	1.80 $\pm$ 20%	40	19		4.90	100KHz/1V
SEP1205E-2R2M-LF	2.20 $\pm$ 20%	32	17		5.50	100KHz/1V

Inductance measured at 100 kHz, 0.1 Vrms .

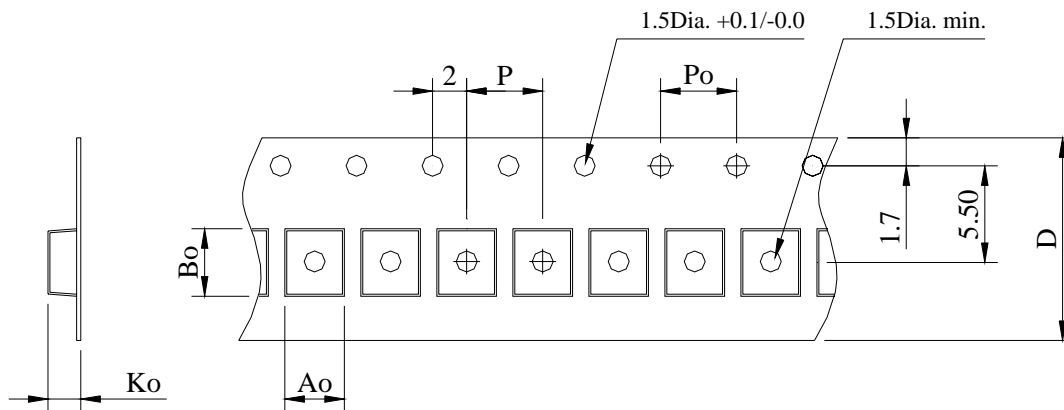
I sat : DC current at which the inductance drops 20% (typ) from its value without current.

I rms : Average current for a 40°C temperature rise above 25°C ambient.

Operating temperature range -40 to +120 ,

Electrical specifications at 20 .

## PACKAGING SPECIFICATION



STAYLE	Q ' TY (PCS)	DIMENSIONS (m/m)					
		Ao	Bo	Ko	P	Po	D $\pm$ 0.3
13"	500	14.2	13.5	4.1	20	4.0	24