



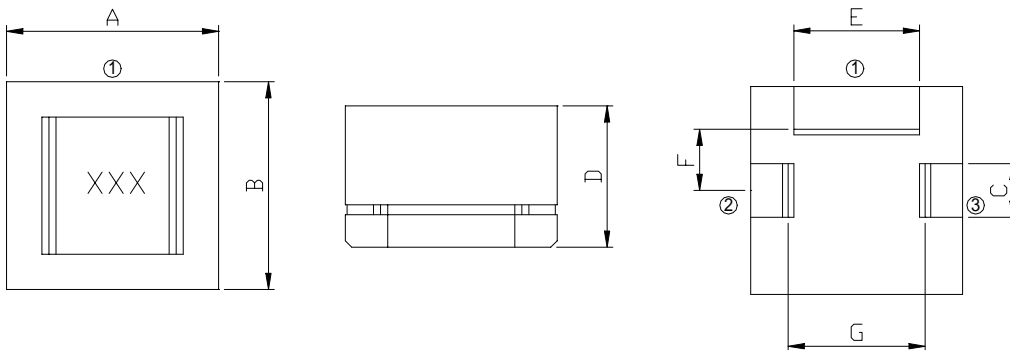
# SEP1409 SERIES - High Current SMD Power Inductors



|            |                |          |                |              |
|------------|----------------|----------|----------------|--------------|
| <b>SEP</b> | <b>1 4 0 9</b> | <b>-</b> | <b>1 R 2 M</b> | <b>- L F</b> |
| TYPE       | DIMENSIONS     |          | INDUCTANCE     | LEAD FREE    |

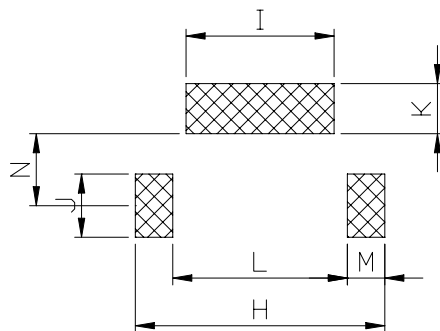
## SHAPES AND DIMENSIONS

UNIT : mm



**A=15.0±0.4 B=15.0±0.4 C=4.0±0.25 D=9.5±0.5 E=7.8±0.5 F=5.5Ref. G=10.0 Ref.**

## RECOMMENDED PATTERNS



**H=15.6 Ref. I=8.6 Ref. J=4.4 Ref. K=2.8 Ref. L=9.2 Ref. M=3.2 Ref. N=2.8 Ref.**



## SEP1409 SERIES – High Current SMD Power Inductors



RoHS Compliant

### SPECIFICATION TABLE

| PART NUMBER     | INDUCTANCE<br>( $\mu$ H) | DCR (m $\Omega$ )<br>(Max.) | Isat(A)<br>L/L0A=20%<br>(Typ.) | Irms(A)<br>T=40<br>(Max.) | TEST FREQ.<br>( f ) |
|-----------------|--------------------------|-----------------------------|--------------------------------|---------------------------|---------------------|
| SEP1409-1R2M-LF | 1.20 $\pm$ 20%           | 2.0                         | 19.0                           | 16.0                      | 100KHz/0.1V         |
| SEP1409-1R4M-LF | 1.40 $\pm$ 20%           | 2.0                         | 18.0                           | 15.0                      | 100KHz/0.1V         |
| SEP1409-1R8M-LF | 1.80 $\pm$ 20%           | 3.0                         | 18.0                           | 14.0                      | 100KHz/0.1V         |
| SEP1409-2R0M-LF | 2.00 $\pm$ 20%           | 3.0                         | 16.0                           | 13.0                      | 100KHz/0.1V         |
| SEP1409-2R5M-LF | 2.50 $\pm$ 20%           | 3.4                         | 14.5                           | 12.0                      | 100KHz/0.1V         |
| SEP1409-2R8M-LF | 2.80 $\pm$ 20%           | 3.4                         | 14.0                           | 12.0                      | 100KHz/0.1V         |
| SEP1409-3R0M-LF | 3.00 $\pm$ 20%           | 4.3                         | 13.0                           | 10.0                      | 100KHz/0.1V         |
| SEP1409-3R6M-LF | 3.60 $\pm$ 20%           | 4.3                         | 12.0                           | 10.0                      | 100KHz/0.1V         |
| SEP1409-3R9M-LF | 3.90 $\pm$ 20%           | 6.5                         | 11.5                           | 9.0                       | 100KHz/0.1V         |
| SEP1409-4R5M-LF | 4.50 $\pm$ 20%           | 6.5                         | 10.5                           | 8.0                       | 100KHz/0.1V         |
| SEP1409-4R8M-LF | 4.80 $\pm$ 20%           | 7.2                         | 10.0                           | 7.0                       | 100KHz/0.1V         |
| SEP1409-5R6M-LF | 5.60 $\pm$ 20%           | 7.2                         | 9.0                            | 6.0                       | 100KHz/0.1V         |

I sat : DC current at which the inductance drops 20% (typ) from its value without current.

I rms : Average current for a 40°C temperature rise above 25°C ambient.

Operating temperature range -40 to +85 ,

Electrical specifications at 20 .

Packing : 13" reel, machine-ready ,embossed plastic tape ( 160 parts per full reel).