



SPO1704 SERIES – Low Profile SMD Power Inductors



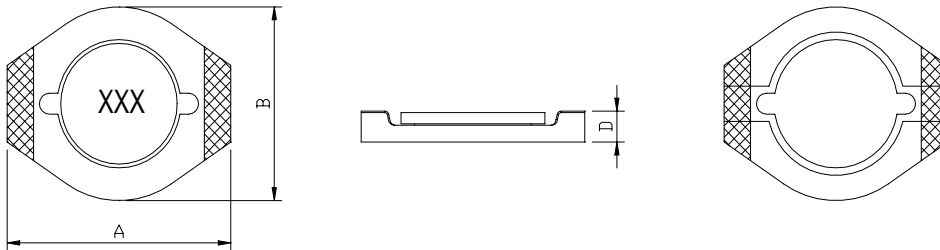
RoHS Compliant

PART NUMBERING SYSTEM

SPO	1 7 0 4	-	1 R 2 M	-	LF
TYPE	DIMENSIONS		INDUCTANCE		LEAD FREE

SHAPES AND DIMENSIONS

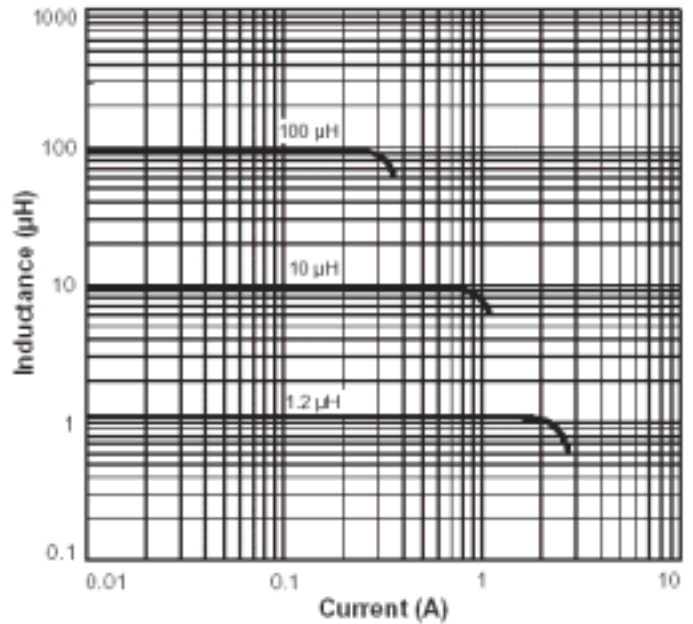
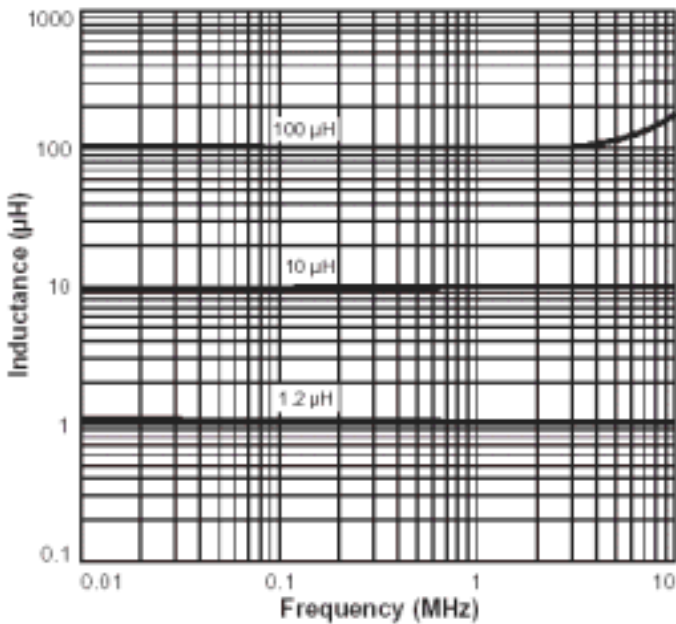
UNIT : mm



A= 6.8 Max. B= 5.6 Max. C= 1.0±0.1

Typical L vs Frequency

Typical L vs Current





SPO1704 SERIES – Low Profile SMD Power Inductors



RoHS Compliant

SPECIFICATION TABLE

PART NUMBER	INDUCTANCE (μ H)	DCR () (Max.)	Isat (A) (Max.)	Irms (A) (Max.)	SRF(MHz) (Ref.)
SPO1704-1R2M-LF	1.2 \pm 20%	0.08	2.10	3.60	190
SPO1704-1R5M-LF	1.5 \pm 20%	0.10	1.90	2.80	140
SPO1704-2R2M-LF	2.2 \pm 20%	0.12	1.60	2.40	115
SPO1704-3R3M-LF	3.3 \pm 20%	0.16	1.30	2.00	90
SPO1704-4R7M-LF	4.7 \pm 20%	0.20	1.10	1.70	88
SPO1704-6R8M-LF	6.8 \pm 20%	0.32	0.90	1.20	66
SPO1704-100M-LF	10 \pm 20%	0.41	0.80	1.10	55
SPO1704-150M-LF	15 \pm 20%	0.55	0.65	0.90	42
SPO1704-220M-LF	22 \pm 20%	0.85	0.50	0.83	38
SPO1704-330M-LF	33 \pm 20%	1.3	0.40	0.62	29
SPO1704-470M-LF	47 \pm 20%	1.8	0.35	0.52	22
SPO1704-680M-LF	68 \pm 20%	2.5	0.30	0.35	18
SPO1704-101M-LF	100 \pm 20%	3.5	0.25	0.27	14
SPO1704-151M-LF	150 \pm 20%	5.0	0.18	0.24	12
SPO1704-221M-LF	220 \pm 20%	7.0	0.16	0.23	10
SPO1704-331M-LF	330 \pm 20%	15.0	0.13	0.13	8

DC current at which the inductance drops 10% (typ) from its value without current.

Operating temperature range -40 to +85 .

Electrical specifications at 25 .



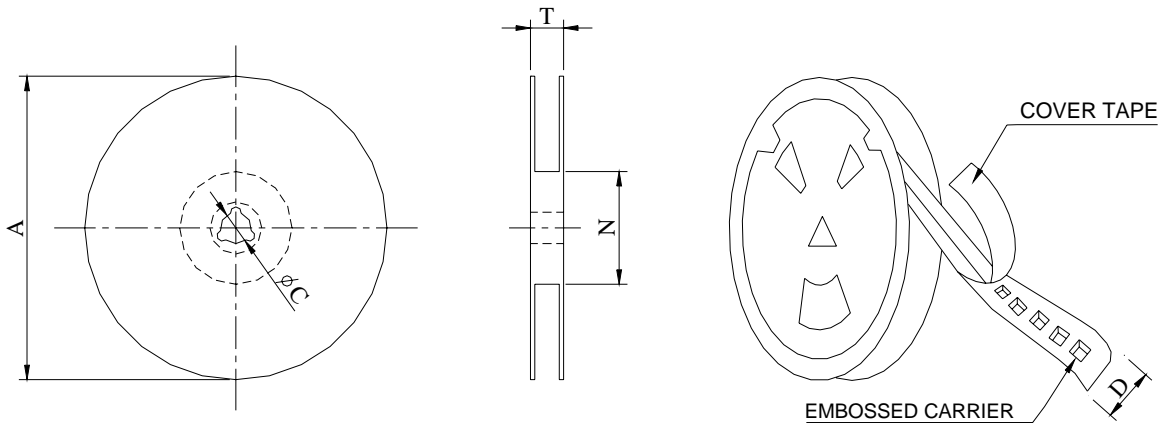
SPO1704 SERIES – Low Profile SMD Power Inductors



RoHS Compliant

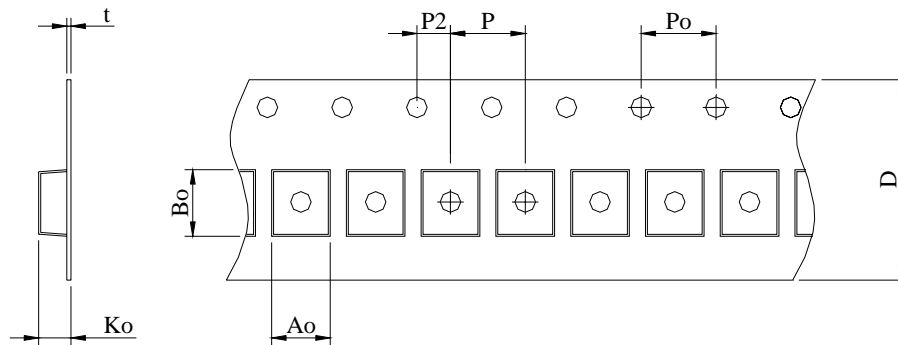
PACKAGING SPECIFICATION

Reel Dimensions



*CARRIER TAPE WIDTH : D

Tape Dimensions



Piece /Reel		Reel Dimensions				Tape Dimensions							
		A	N	C	T	Ao	Bo	Ko	P	Po	P2	D	t
178	330	A	N	C	T	Ao	Bo	Ko	P	Po	P2	D	t
2000	6000	178/330	62/100	13	12.3	5.60	6.50	1.20	8	4	8	12	0.3