



# SPO2506 SERIES – SMD Power Inductors



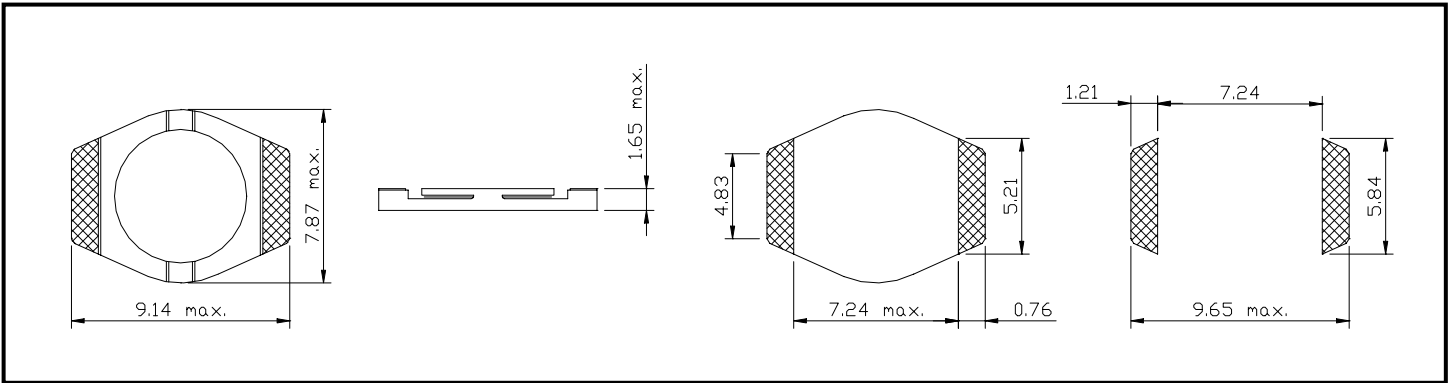
RoHS Compliant

## PART NUMBERING SYSTEM

<b>SPO</b>	<b>2 5 0 6</b>	-	<b>4 7 2 M</b>	-	<b>LF</b>
TYPE	DIMENSIONS		INDUCTANCE		LEAD FREE

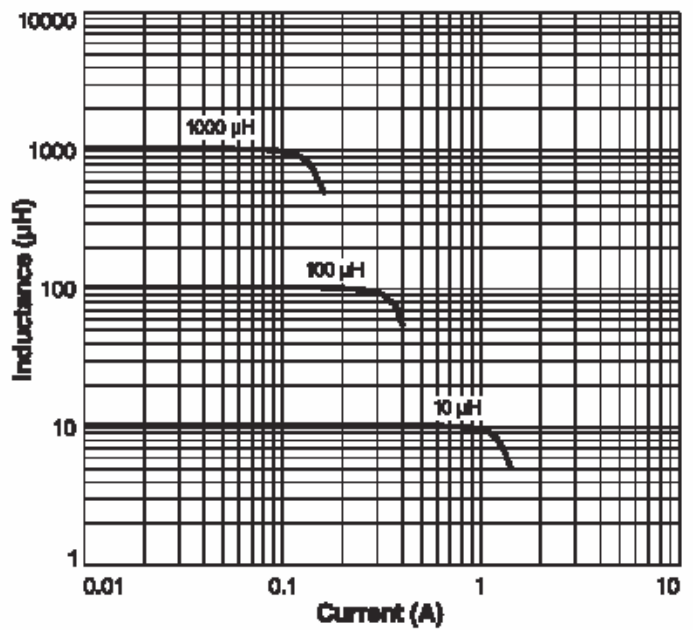
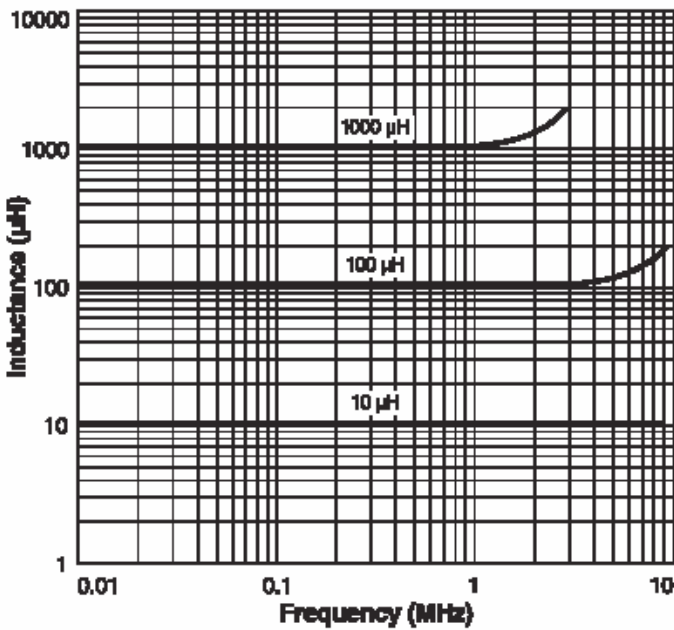
## SHAPES AND DIMENSIONS

UNIT : mm



Typical L vs Frequency

Typical L vs Current





## SPO2506 SERIES – SMD Power Inductors



RoHS Compliant

### SPECIFICATION TABLE

PART NUMBER	INDUCTANCE ( $\mu$ H)	DCR ( ) (Max.)	Isat ( A ) (Max.)	Irms ( A ) (Max.)	SRF(MHz) (Ref.)
SPO2506-4R7M-LF	4.7 $\pm$ 20%	0.145	1.60	1.90	90
SPO2506-6R8M-LF	6.8 $\pm$ 20%	0.165	1.30	1.70	75
SPO2506-8R2M-LF	8.2 $\pm$ 20%	0.200	1.00	1.50	65
SPO2506-100M-LF	10 $\pm$ 20%	0.240	1.00	1.50	60
SPO2506-150M-LF	15 $\pm$ 20%	0.300	0.90	1.30	45
SPO2506-220M-LF	22 $\pm$ 20%	0.420	0.70	1.00	35
SPO2506-330M-LF	33 $\pm$ 20%	0.550	0.60	0.90	30
SPO2506-470M-LF	47 $\pm$ 20%	0.765	0.50	0.70	22
SPO2506-680M-LF	68 $\pm$ 20%	1.10	0.40	0.60	20
SPO2506-101M-LF	100 $\pm$ 20%	1.60	0.30	0.50	15
SPO2506-151M-LF	150 $\pm$ 20%	2.50	0.25	0.40	12
SPO2506-221M-LF	220 $\pm$ 20%	3.65	0.22	0.32	10
SPO2506-331M-LF	330 $\pm$ 20%	4.65	0.18	0.28	8.0
SPO2506-471M-LF	470 $\pm$ 20%	6.75	0.14	0.24	6.5
SPO2506-681M-LF	680 $\pm$ 20%	9.15	0.12	0.20	5.5
SPO2506-102M-LF	1000 $\pm$ 20%	14.20	0.10	0.16	4.5

Inductance tested at 100 kHz, 0.1 Vrms

I sat : DC current at which the inductance drops 10% (typ) from its value without current.

I rms : : Average current for 40°C temperature rise from 25°C ambient.

Operating temperature range -40 to +85 .

Electrical specifications at 25 .



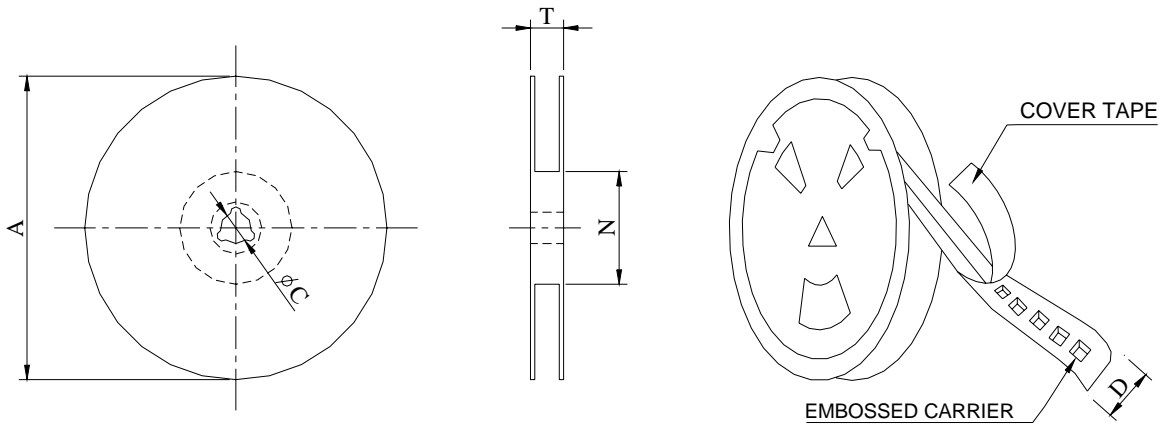
# SPO2506 SERIES – SMD Power Inductors



RoHS Compliant

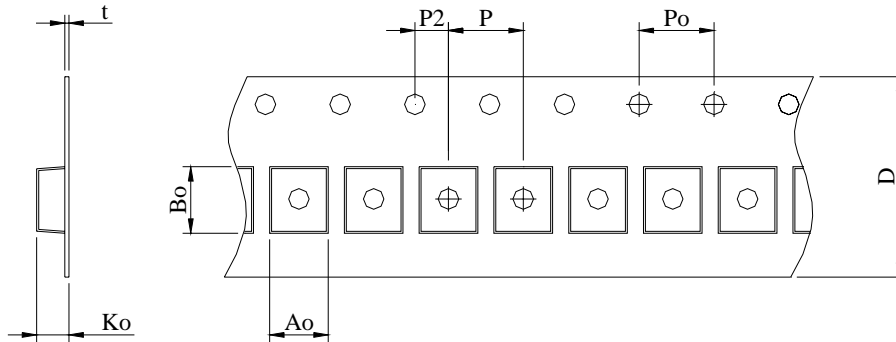
## PACKAGING SPECIFICATION

Reel Dimensions



\*CARRIER TAPE WIDTH : D

Tape Dimensions



Piece /Reel		Reel Dimensions				Tape Dimensions							
		A	N	C	T	Ao	Bo	Ko	P	Po	P2	D	t
178	330	A	N	C	T	Ao	Bo	Ko	P	Po	P2	D	t
—	2500	330	100	13	16.3	8.0	9.3	1.8	12	4	2	16	0.3