



# SSB2809 SERIES - Low Profile Shielded Power Inductors



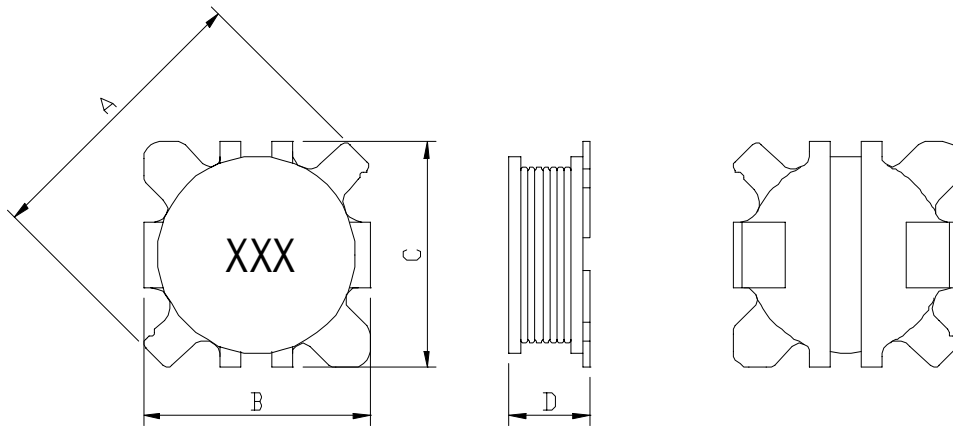
RoHS Compliant

## PART NUMBERING SYSTEM

<b>SSB</b>	<b>2809</b>	-	<b>100M</b>	-	<b>LF</b>
TYPE	DIMENSIONS		INDUCTANCE		LEAD FREE

## SHAPES AND DIMENSIONS

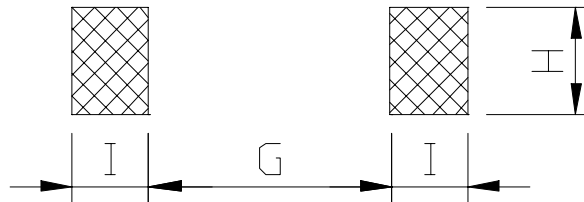
UNIT : mm



**A=4.25 Max. B= 3.00±0.2 C=3.0±0.2 D=1.0Max**

## RECOMMENDED PATTERNS

UNIT : mm



**G=1.00 H=1.00 I=1.20**



## SSB2809 SERIES - Low Profile Shielded Power Inductors

### SPECIFICATION TABLE

PART NUMBER	INDUCTANCE ( $\mu$ H)	DCR (m ) (Max.)	Isat ( A )	Irms ( A )	TEST FREQ. ( f )
SSB2809-1R0N-LF	1.0 $\pm$ 30%	74	1.15	2.00	100KHz/0.1V
SSB2809-1R5N-LF	1.5 $\pm$ 30%	89	1.00	1.70	100KHz/0.1V
SSB2809-2R2N-LF	2.2 $\pm$ 30%	132	0.80	1.32	100KHz/0.1V
SSB2809-3R3N-LF	3.3 $\pm$ 30%	252	0.65	1.05	100KHz/0.1V
SSB2809-4R7N-LF	4.7 $\pm$ 30%	288	0.53	0.87	100KHz/0.1V
SSB2809-6R8N-LF	6.8 $\pm$ 30%	348	0.45	0.83	100KHz/0.1V
SSB2809-100M-LF	10.0 $\pm$ 20%	576	0.39	0.67	100KHz/0.1V
SSB2809-150M-LF	15.0 $\pm$ 20%	852	0.32	0.49	100KHz/0.1V
SSB2809-220M-LF	22.0 $\pm$ 20%	1440	0.27	0.38	100KHz/0.1V

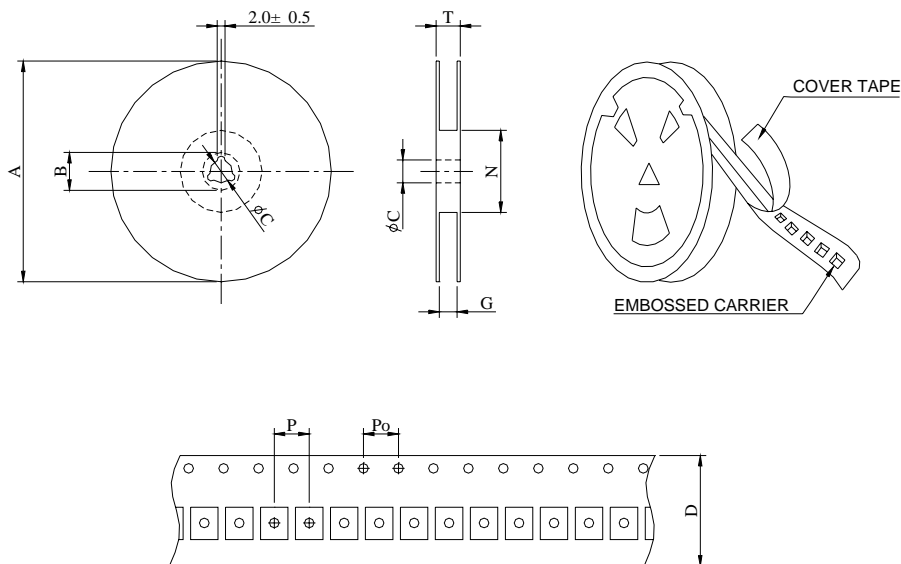
Inductance measured using a Coilmaster SMD fixture in an Agilent/HP 4284A or equivalent.

Isat: DC current at which the inductance drops 10% (typ) from its value without current.

Irms: Average current for 30°C (max) rise from +25°C ambient.

Storage and ambient operating temperature range -40°C to +85°C.

### PACKAGING SPECIFICATION



SERIES	STAYLE	Q ' TY (PCS)	DIMENSIONS (m/m)								
			A	B $\pm$ 0.8	C $\pm$ 0.5	D	G <sup>+0</sup>	N <sup>0</sup>	P	Po	T
SSB2809	13-16	3500	330	21	13	16	18	50	8	4	22.4