



SSB4311 SERIES - Low Profile Shielded Power Inductors



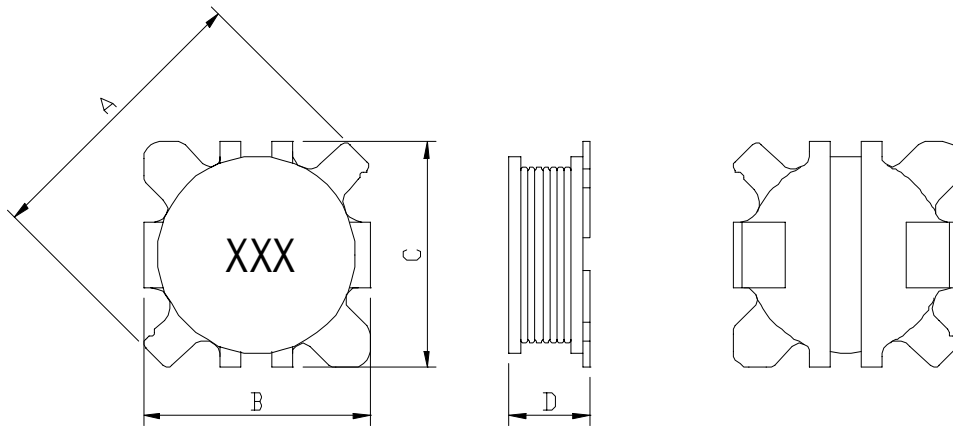
RoHS Compliant

PART NUMBERING SYSTEM

SSB	4 3 1 1	-	1 0 0 M	-	LF
TYPE	DIMENSIONS		INDUCTANCE		LEAD FREE

SHAPES AND DIMENSIONS

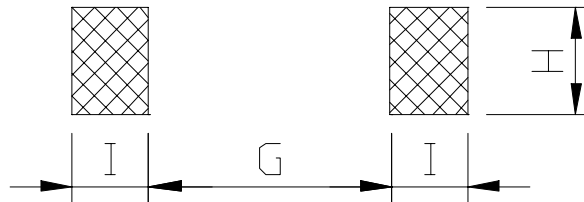
UNIT : mm



A=6.36 Max. B= 4.50±0.3 C=4.50±0.3 D=1.20 Max

RECOMMENDED PATTERNS

UNIT : mm



G=1.7 H=1.60 I=2.00



SSB4311 SERIES - Low Profile Shielded Power Inductors

SPECIFICATION TABLE

PART NUMBER	INDUCTANCE (μ H)	DCR (m Ω) (Max.)	Isat (A)	Irms (A)	TEST FREQ. (f)
SSB4311-2R2N-LF	2.2 \pm 30%	93	1.46	1.46	100KHz/0.1V
SSB4311-3R3N-LF	3.3 \pm 30%	124	1.15	1.15	100KHz/0.1V
SSB4311-4R7N-LF	4.7 \pm 30%	173	0.90	0.90	100KHz/0.1V
SSB4311-6R8N-LF	6.8 \pm 30%	257	0.80	0.80	100KHz/0.1V
SSB4311-100M-LF	10.0 \pm 20%	377	0.70	0.70	100KHz/0.1V
SSB4311-150M-LF	15.0 \pm 20%	544	0.55	0.55	100KHz/0.1V
SSB4311-220M-LF	22.0 \pm 20%	724	0.47	0.50	100KHz/0.1V
SSB4311-330M-LF	33.0 \pm 20%	1083	0.41	0.42	100KHz/0.1V
SSB4311-470M-LF	47.0 \pm 20%	1656	0.32	0.34	100KHz/0.1V

Inductance measured using a Coilmaster SMD fixture in an Agilent/HP 4284A or equivalent.

Isat: DC current at which the inductance drops 10% (typ) from its value without current.

Irms: Average current for 30°C (max) rise from +25°C ambient.

Storage and ambient operating temperature range -40°C to +85°C.

Packing : 13" reel, machine-ready ,embossed plastic tape (3,500 parts per full reel).