



SSB5212 SERIES – Low Profile SMD Power Inductors

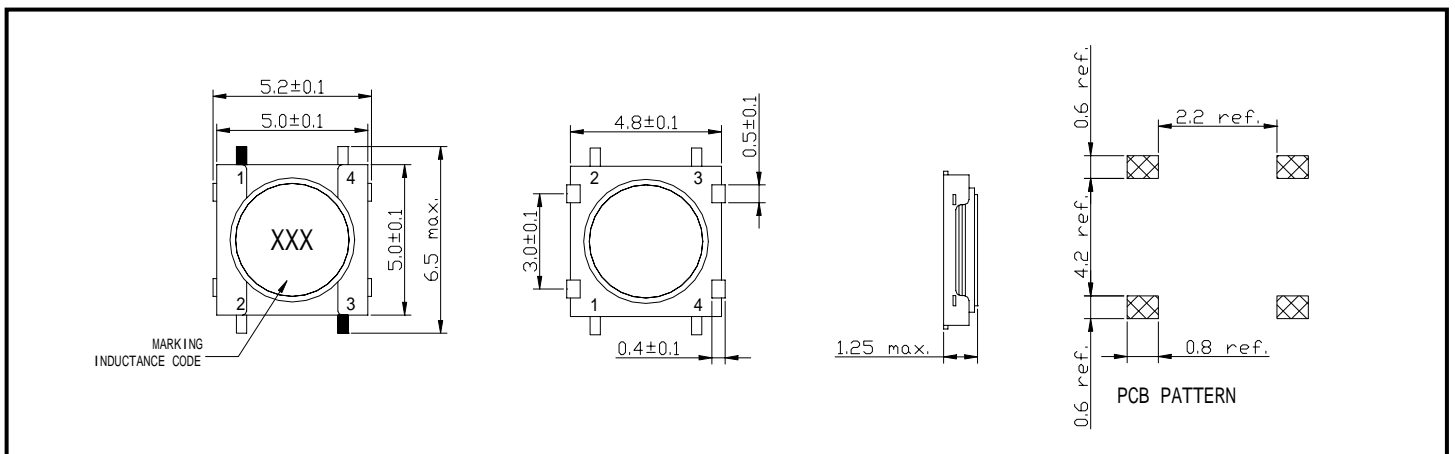


PART NUMBERING SYSTEM

SSB	5 2 1 2	-	2 R 2 M	-	LF
TYPE	DIMENSIONS		INDUCTANCE		LEAD FREE

SHAPES AND DIMENSIONS

UNIT : mm



SPECIFICATION TABLE

PART NUMBER	INDUCTANCE (μ H)	DCR () (max)	IDC (A) (max)	TEST FREQ. (f)
SSB5212-2R2M—LF	2.2	0.18	1.97	100KHz
SSB5212-3R3M-LF	3.3	0.22	1.82	100KHz
SSB5212-4R7M-LF	4.7	0.27	1.54	100KHz
SSB5212-6R8M-LF	6.8	0.37	1.30	100KHz
SSB5212-100M-LF	10	0.48	1.10	100KHz
SSB5212-150M-LF	15	0.62	0.95	100KHz
SSB5212-220M-LF	22	1.00	0.77	100KHz
SSB5212-330M-LF	33	1.40	0.60	100KHz
SSB5212-470M-LF	47	2.16	0.51	100KHz

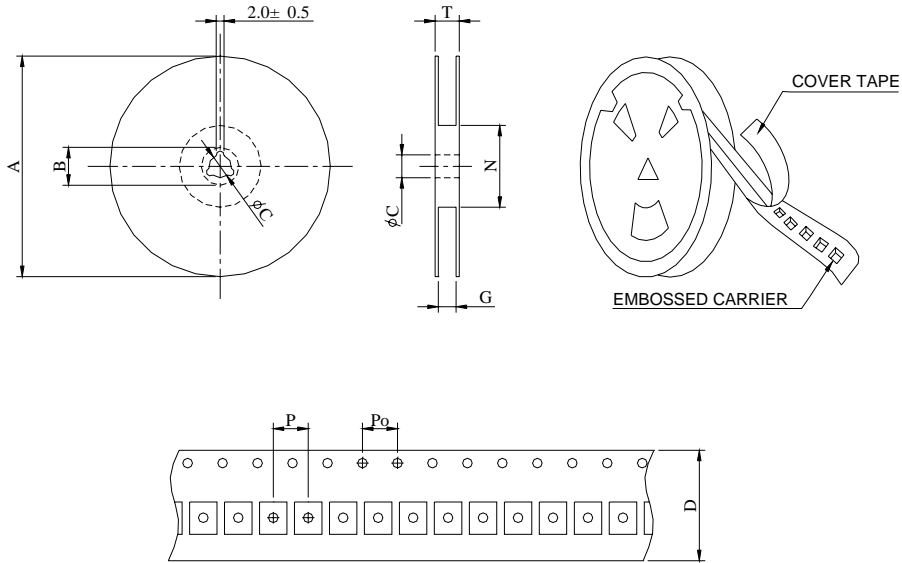
1. Operating temperature range : -40 to + 80 .
2. Test equivalent : HP4284A LCR meter or equivalent .
3. Electrical specifications at 25 .

SSB5212 SERIES – Low Profile SMD Power Inductors



RoHS Compliant

PACKAGING SPECIFICATION



SERIES	STAYLE	Q ' TY (PCS)	DIMENSIONS (m/m)								
			A	B±0.8	C±0.5	D	G ⁺ ₀	N ⁰	P	Po	T
SSB5212	13-16	3000	330	21	13	16	18	50	8	4	22.4