



# SSB5412 SERIES - Low Profile Shielded Power Inductors



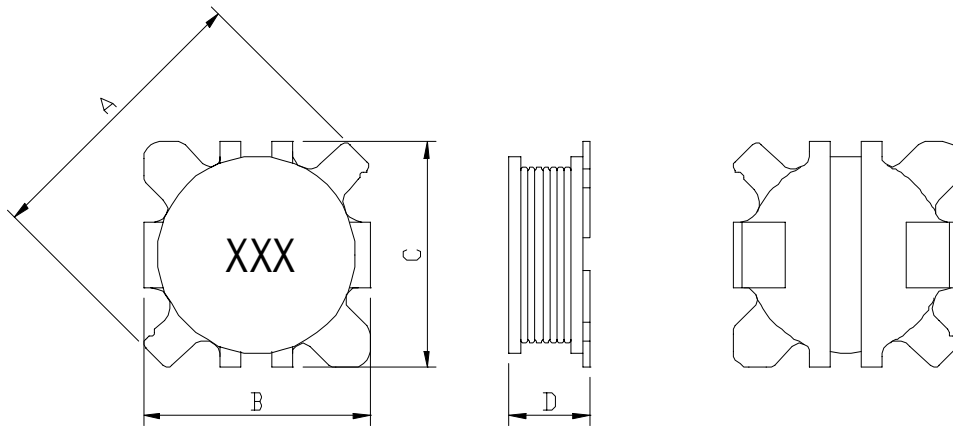
RoHS Compliant

## PART NUMBERING SYSTEM

<b>SSB</b>	<b>5 4 1 2</b>	-	<b>1 0 0 M</b>	-	<b>LF</b>
TYPE	DIMENSIONS		INDUCTANCE		LEAD FREE

## SHAPES AND DIMENSIONS

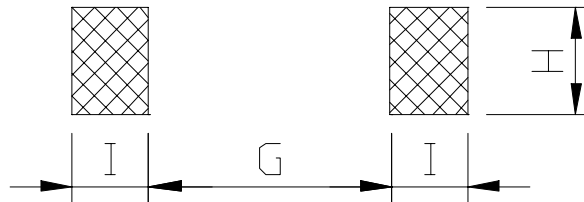
UNIT : mm



**A=7.90 Max. B= 5.60±0.3 C=5.60±0.3 D=1.20 Max**

## RECOMMENDED PATTERNS

UNIT : mm



**G=1.75 H=2.50 I=2.50**



## SSB5412 SERIES - Low Profile Shielded Power Inductors

### SPECIFICATION TABLE

PART NUMBER	INDUCTANCE ( $\mu$ H)	DCR (m $\Omega$ ) (Max.)	Isat ( A )	Irms ( A )	TEST FREQ. ( f )
SSB5412-2R2N-LF	2.2 $\pm$ 30%	87	1.40	1.95	100KHz/0.1V
SSB5412-3R3N-LF	3.3 $\pm$ 30%	104	1.18	1.85	100KHz/0.1V
SSB5412-4R7N-LF	4.7 $\pm$ 30%	143	0.90	1.60	100KHz/0.1V
SSB5412-6R8N-LF	6.8 $\pm$ 30%	200	0.73	1.35	100KHz/0.1V
SSB5412-100M-LF	10.0 $\pm$ 20%	276	0.62	1.12	100KHz/0.1V
SSB5412-150M-LF	15.0 $\pm$ 20%	408	0.50	0.90	100KHz/0.1V
SSB5412-220M-LF	22.0 $\pm$ 20%	551	0.41	0.80	100KHz/0.1V
SSB5412-330M-LF	33.0 $\pm$ 20%	768	0.39	0.68	100KHz/0.1V
SSB5412-470M-LF	47.0 $\pm$ 20%	1079	0.32	0.55	100KHz/0.1V

Inductance measured using a Coilmaster SMD fixture in an Agilent/HP 4284A or equivalent.

Isat: DC current at which the inductance drops 10% (typ) from its value without current.

Irms: Average current for 30°C (max) rise from +25°C ambient.

Storage and ambient operating temperature range -40°C to +85°C.

Packing : 13" reel, machine-ready ,embossed plastic tape ( 3,500 parts per full reel).