



# SDS7011 SERIES -



RoHS Compliant

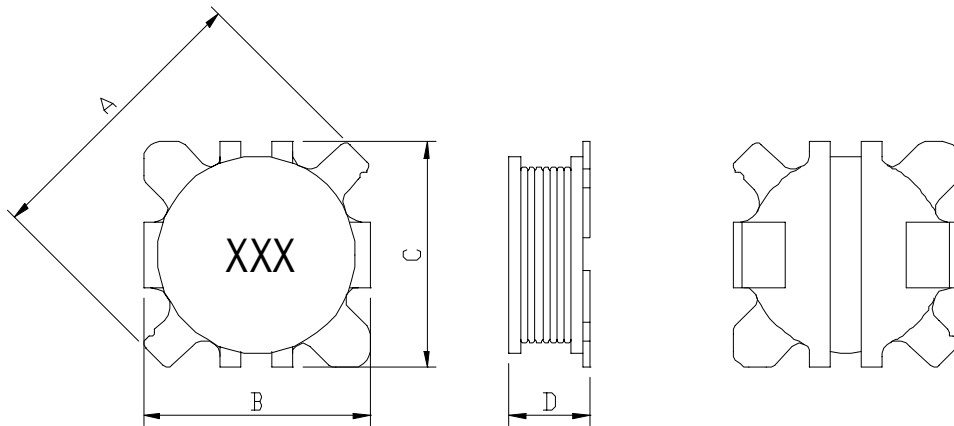
## Low Profile Shielded Power Inductors

### PART NUMBERING SYSTEM

<u><b>SDS</b></u>	<u><b>7 0 1 1</b></u>	-	<u><b>4 R 7 N</b></u>	-	<u><b>LF</b></u>
TYPE	DIMENSIONS		INDUCTANCE		LEAD FREE

### SHAPES AND DIMENSIONS

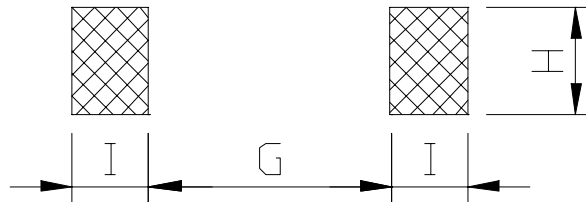
UNIT : mm



**A=10.18Max. B= 7.2±0.3 C=7.2±0.3 D=1.2Max**

### RECOMMENDED PATTERNS

UNIT : mm



**G=3.50 H=3.00 I=2.25**



## SDS7011 SERIES -

### Low Profile Shielded Power Inductors



RoHS Compliant

#### SPECIFICATION TABLE

PART NUMBER	INDUCTANCE ( $\mu$ H)	DCR (m $\Omega$ ) (Max.)	Isat ( A )	Irms ( A )	TEST FREQ. ( f )
SSB7011-4R7M-LF	4.7 $\pm$ 20%	156	1.42	1.60	100KHz/0.1V
SSB7011-6R8M-LF	6.8 $\pm$ 20%	203	1.11	1.32	100KHz/0.1V
SSB7011-100M-LF	10.0 $\pm$ 20%	243	0.95	1.25	100KHz/0.1V
SSB7011-150M-LF	15.0 $\pm$ 20%	412	0.75	0.90	100KHz/0.1V
SSB7011-220M-LF	22.0 $\pm$ 20%	586	0.60	0.75	100KHz/0.1V
SSB7011-330M-LF	33.0 $\pm$ 20%	854	0.50	0.57	100KHz/0.1V
SSB7011-470M-LF	47.0 $\pm$ 20%	1047	0.45	0.54	100KHz/0.1V
SSB7011-472M-LF	4700 $\pm$ 20%	105	53mA	50mA	100KHz/0.1V

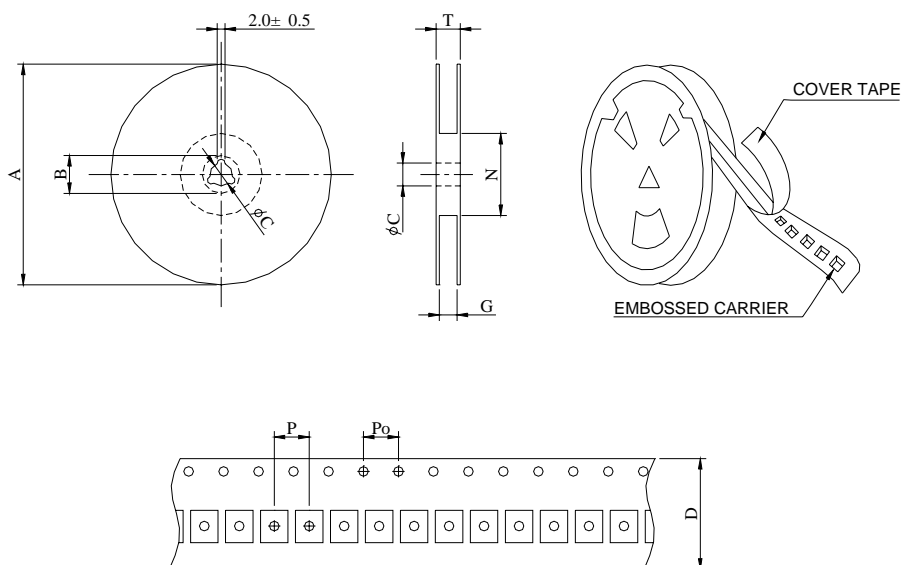
Inductance measured using a Coilmaster SMD fixture in an Agilent/HP 4284A or equivalent.

Isat: DC current at which the inductance drops 10% (typ) from its value without current.

Irms: Average current for 30°C (max) rise from +25°C ambient.

Storage and ambient operating temperature range -40°C to +85°C.

#### PACKAGING SPECIFICATION



SERIES	STAYLE	Q ' TY (PCS)	DIMENSIONS (m/m)								
			A	B $\pm$ 0.8	C $\pm$ 0.5	D	G <sup>+</sup>	N <sup>0</sup>	P	Po	T
SSB7011	13-16	3500	330	21	13	16	18	50	8	4	22.4