



SSB7020 SERIES - Low Profile Shielded Power Inductors



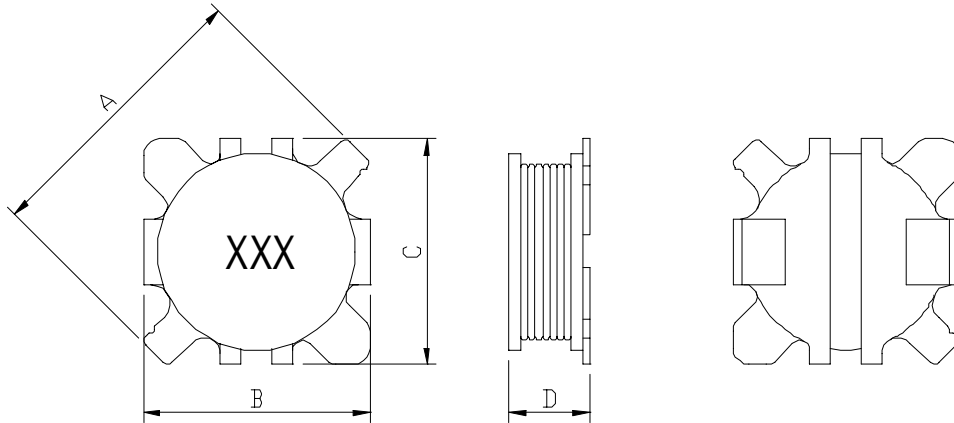
RoHS Compliant

PART NUMBERING SYSTEM

| | | | | | |
|------------|-------------|---|-------------|---|-----------|
| SSB | 7020 | - | 2R2N | - | LF |
| TYPE | DIMENSIONS | | INDUCTANCE | | LEAD FREE |

SHAPES AND DIMENSIONS

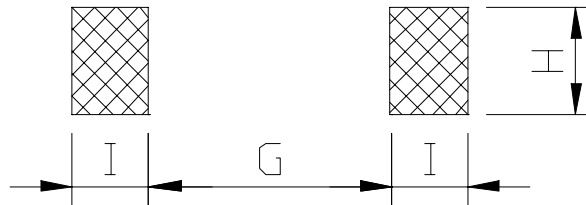
UNIT : mm



A=10.18Max. B= 7.2±0.3 C=7.2±0.3 D=2.00 Max

RECOMMENDED PATTERNS

UNIT : mm



G=3.50 H=3.00 I=2.25



SSB7020 SERIES - Low Profile Shielded Power Inductors

SPECIFICATION TABLE

| PART NUMBER | INDUCTANCE (μ H) | DCR (m Ω) (Max.) | Isat (A) | Irms (A) | TEST FREQ. (f) |
|-----------------|--------------------------|-----------------------------|------------|------------|---------------------|
| SSB7020-2R2N-LF | 2.2 \pm 30% | 51 | 4.60 | 3.00 | 100KHz/0.1V |
| SSB7020-3R3N-LF | 3.3 \pm 30% | 70 | 4.00 | 2.20 | 100KHz/0.1V |
| SSB7020-4R7N-LF | 4.7 \pm 30% | 96 | 3.50 | 2.00 | 100KHz/0.1V |
| SSB7020-6R8N-LF | 6.8 \pm 30% | 120 | 2.70 | 1.75 | 100KHz/0.1V |
| SSB7020-100M-LF | 10.0 \pm 20% | 186 | 2.00 | 1.40 | 100KHz/0.1V |
| SSB7020-150M-LF | 15.0 \pm 20% | 255 | 1.50 | 1.10 | 100KHz/0.1V |
| SSB7020-220M-LF | 22.0 \pm 20% | 306 | 1.30 | 1.07 | 100KHz/0.1V |
| SSB7020-330M-LF | 33.0 \pm 20% | 501 | 1.20 | 0.85 | 100KHz/0.1V |
| SSB7020-470M-LF | 47.0 \pm 20% | 693 | 1.00 | 0.75 | 100KHz/0.1V |

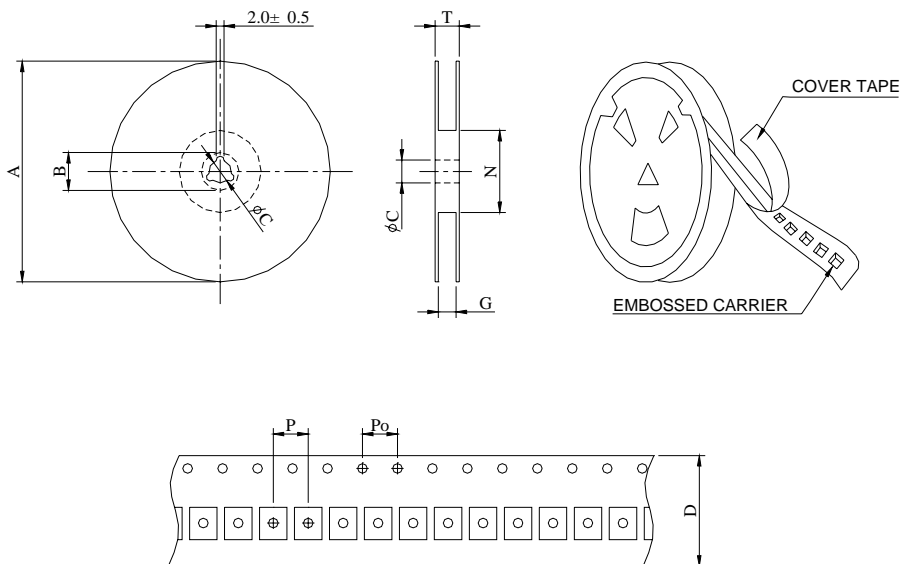
Inductance measured using a Coilmaster SMD fixture in an Agilent/HP 4284A or equivalent.

Isat: DC current at which the inductance drops 10% (typ) from its value without current.

Irms: Average current for 30°C (max) rise from +25°C ambient.

Storage and ambient operating temperature range -40°C to +85°C.

PACKAGING SPECIFICATION



| SERIES | STAYLE | Q ' TY (PCS) | DIMENSIONS (m/m) | | | | | | | | |
|---------|--------|-----------------|------------------|-------------|-------------|----|-----------------|----------------|---|----|------|
| | | | A | B \pm 0.8 | C \pm 0.5 | D | G ⁺⁰ | N ⁰ | P | Po | T |
| SSB7018 | 13-16 | 2000 | 330 | 21 | 13 | 16 | 18 | 50 | 8 | 4 | 22.4 |