



SS5040 series - Spring Air Core Inductors



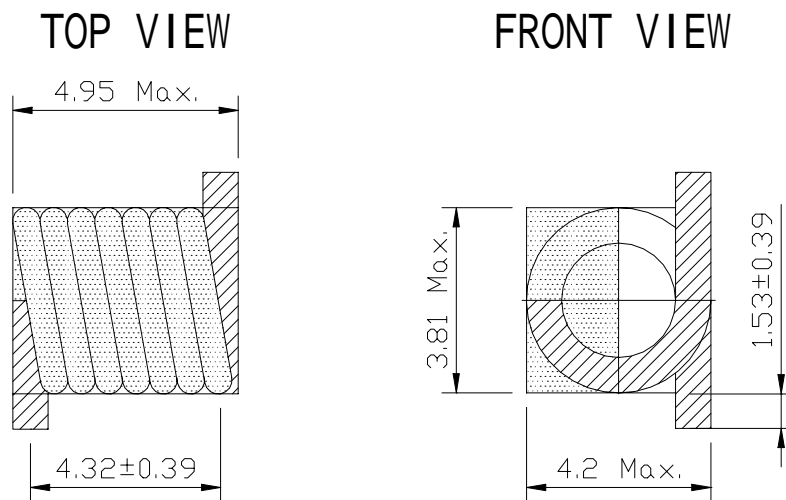
SHAPE AND DIMENSION

FEATURES

- SMD type air core inductor .
- Tape / Reel packaging available for auto-insertion .
- High Q coils .

SS5040 Series

unit : mm



SS5040 SERIES

PART NUMBER	INDUCTANCE (nH)	Tolerance	Q. (Min.)	DCR (m Ω) (Max)	SRF (GHz) (Min.)	I _{rms} (A) (Max)
SS5040-22N -LF	22	J , K	100	4.2	3.2	3.0
SS5040-27N -LF	27	J , K	100	4.0	2.7	3.5
SS5040-33N -LF	33	J , K	100	4.8	2.5	3.0
SS5040-39N -LF	39	J , K	100	4.4	2.1	3.0
SS5040-47N -LF	47	J , K	100	5.6	2.1	3.0
SS5040-56N -LF	56	J , K	100	6.2	1.5	3.0
SS5040-68N -LF	68	J , K	100	8.2	1.5	2.5
SS5040-82N -LF	82	J , K	100	9.4	1.3	2.5
SS5040-R10 -LF	100	J , K	100	12.3	1.2	1.7
SS5040-R12 -LF	120	J , K	100	17.3	1.1	1.5

* Inductance tested at 150MHz.

* Inductance tolerance : J=+/-5%

* Operating temperature range : -40 to +125 .

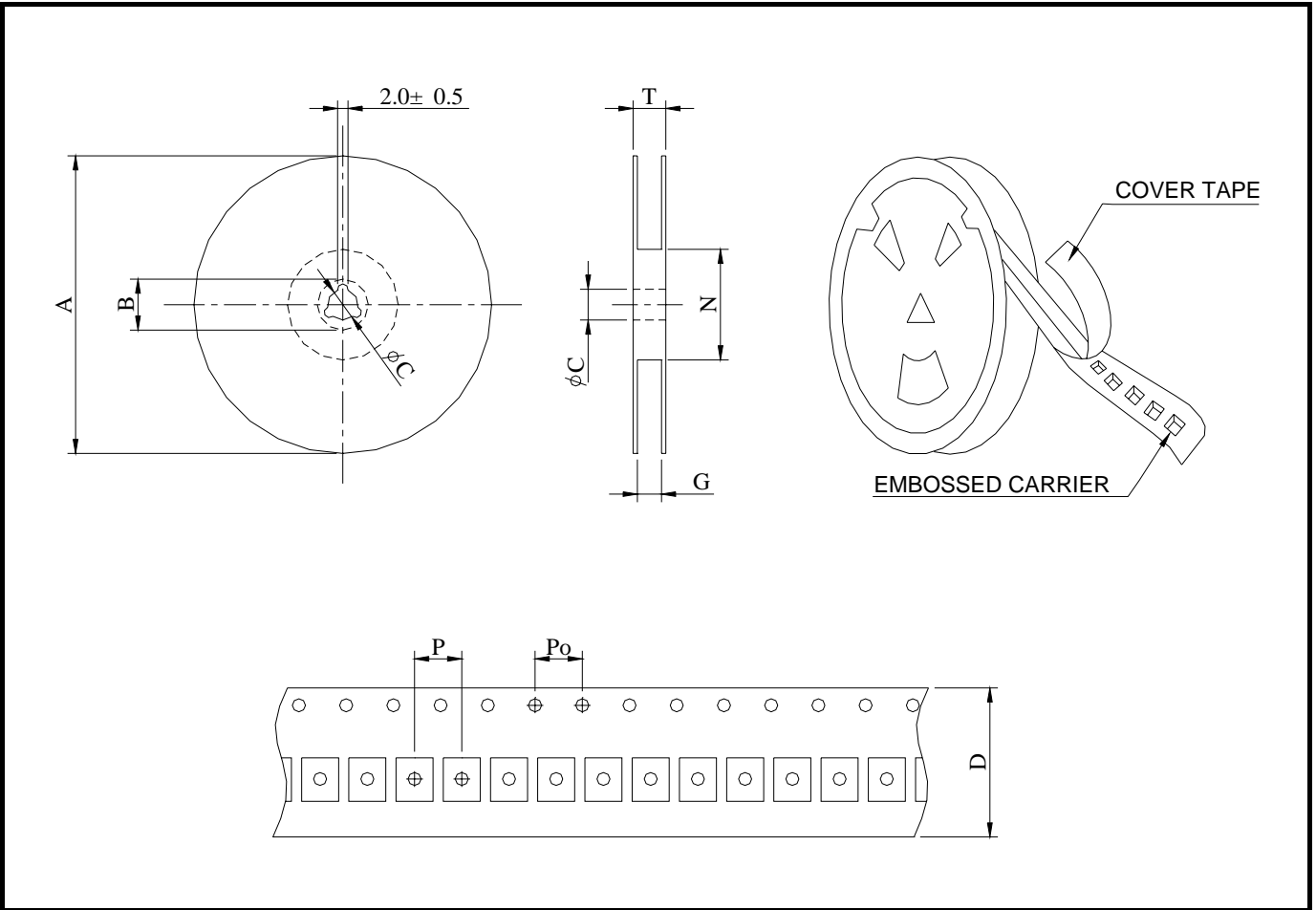


SS5040 series - Spring Air Core Inductors



RoHS Compliant

PACKAGING SPECIFICATION



SERIES	STAYLE	Q ' TY (PCS)	DIMENSIONS (m/m)								
			A	B±0.8	C±0.5	D	G	N	P	Po	T
SS5040	13"	2,000	330	21	13	12	12.4	100	8	4	18.4